

SGC Technologies, Inc.

PRODUCT SPECIFICATION FOR INFORMATION

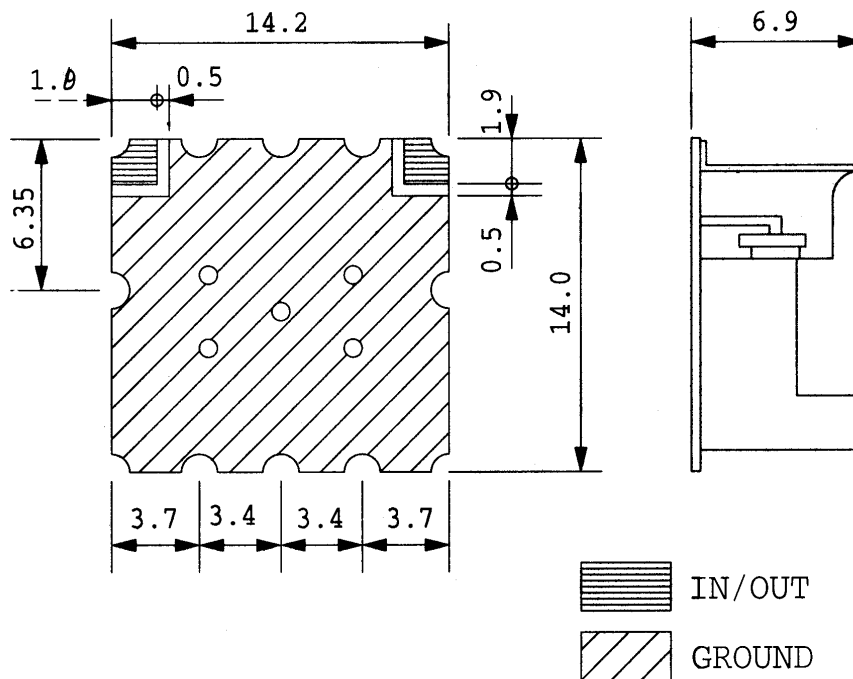
PRODUCT NAME: SBP-2R6-1595BP35M TYPE

PART NO: SBP-2R6-1595BP35M

Center frequency	1595MHz
Pole	2
Bandwidth(BW)	Fo ±17.5 MHz
Insertion Loss	2.0 dB MAX
VSWR in BW	1.67 MAX
Ripple in BW	3.0 dB MAX
Attenuation	20dB MIN at 1525 MHz
Harmonic rejection up to	2*Fc >25dB
In/Out Impedance	50 ohm

NOTE: EQUIPMENT used :HP 8753E

DIMENSION:



Unit:mm

SGC Technnologies, Inc.