

# SGC Technologies, Inc.

## PRODUCT SPECIFICATION FOR INFORMATION

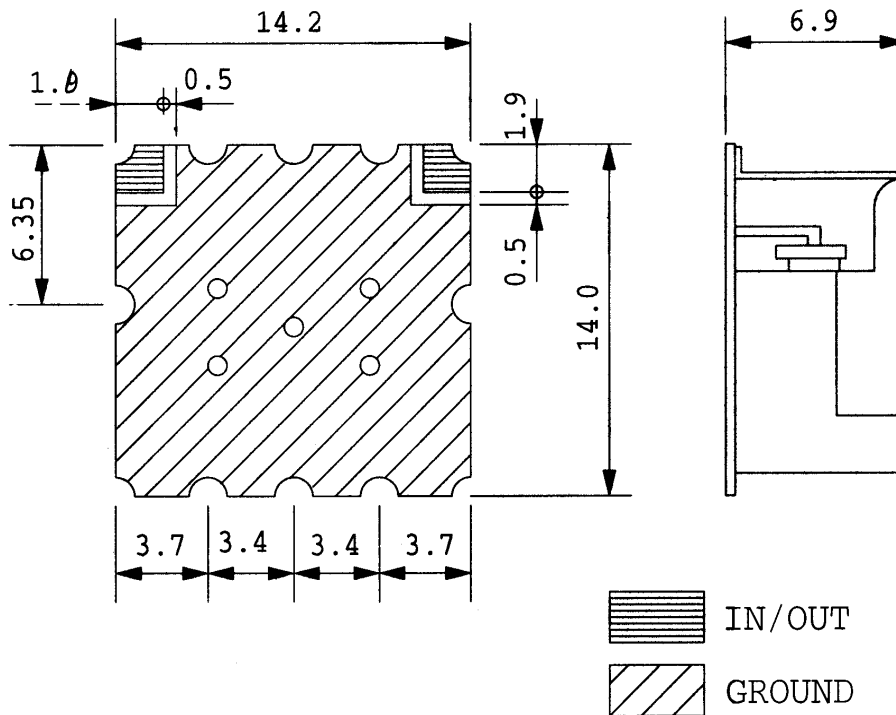
PRODUCT NAME: SBP-2R6 TYPE

PART NO: SBP-2R6-3432BP20A

|                  |   |
|------------------|---|
| Center frequency | 3432MHz                                 |
| Pole             | 2                                       |
| Bandwidth(BW)    | F <sub>o</sub> ±10MHz                   |
| Insertion Loss   | 1.5 dB max                              |
| Return Loss      | 15dB min                                |
| Ripple in BW     | 0.3 dB max                              |
| Attenuation      | -1436MHz at 55dBc<br>+ 1436MHz at 35dBc |
| In/Out Impedance | 50 ohm                                  |

NOTE: EQUIPMENT used :HP 8753E

### DIMENSION:



Unit:mm

# SBP-2R6-3432BP20A

