

# SGC Technologies, Inc.

## PRODUCT SPECIFICATION FOR INFORMATION

PRODUCT NAME: SBP-3R3 TYPE

PART NO: SBP-3R3-1874BP10B

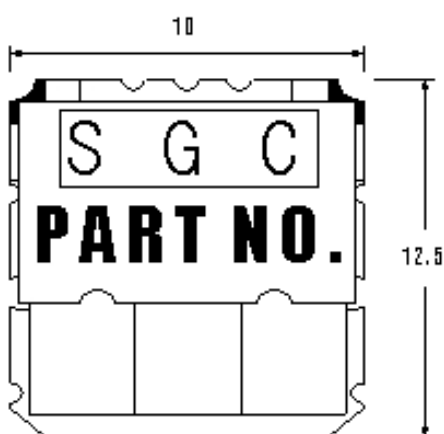
Parameter	Spec
Center frequency(Fo)	1874.62 MHz
Pole	3
Bandwidth(BW)	Fo $\pm$ 5 MHz
Insertion Loss in BW	3.0 dB max.
Ripple in BW	0.5 dB max.
Return Loss in BW	15 dB Min.
Attenuation	-
In/Out Impedance	50 ohm

NOTE:

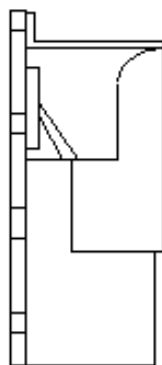
EQUIPMENT used :HP 8753D

DIMENSION:

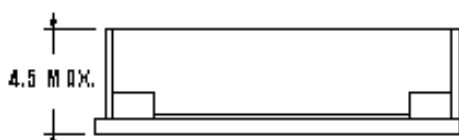
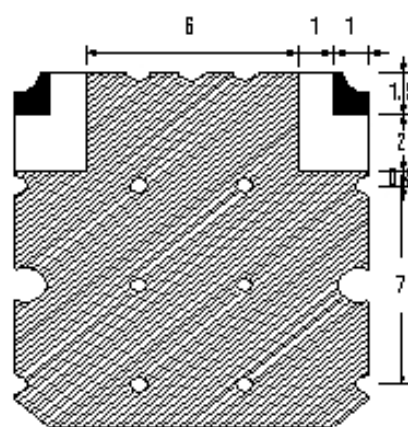
**TOP VIEW**



**SIDE VIEW**



**BOTTOM VIEW**



**TOLERANCE UNLESS  
OTHERWISE SPECIFIED :  $\pm$ 0.3  
DIMENSIONS : mm**

 GROUND  
 I/O PORT

Diagram A

Part Number : SBP-3R3-1874BP10B

