

# SGC Technologies, Inc.

## PRODUCT SPECIFICATION FOR INFORMATION

**PRODUCT NAME: SBP-3R3 TYPE**

**PART NO: SBP-3R3-1987BP390B**

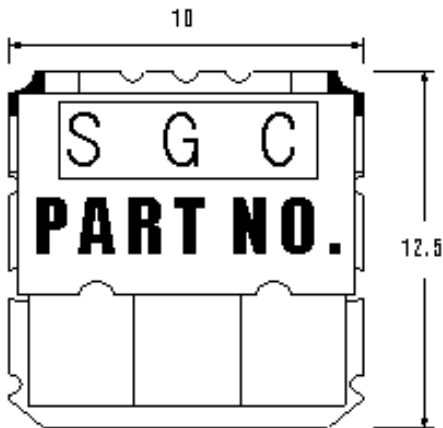
Center frequency	1987 MHz
Pole	3
-1dB Bandwidth(BW)	390MHz
Insertion Loss	2.0 dB max
VSWR in BW	2.5 max
Ripple in BW	1.0dB max
Attenuation	+/-450MHz at 10dB
In/Out Impedance	50 ohm

**NOTE:**

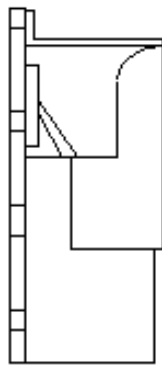
EQUIPMENT used :HP 8753E

**DIMENSION:**

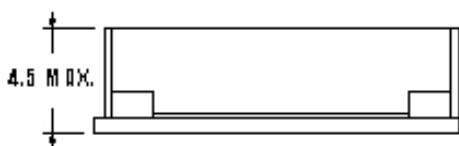
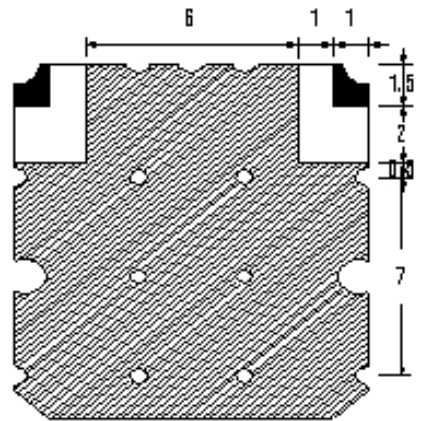
**TOP VIEW**



**SIDE VIEW**



**BOTTOM VIEW**



**TOLERANCE UNLESS OTHERWISE SPECIFIED : ±0.3  
DIMENSIONS : mm**

 **GROUND**  
 **I/O PORT**

# SBP-3R3-1987BP390B

