

SGC Technologies, Inc.

PRODUCT SPECIFICATION FOR INFORMATION

PRODUCT NAME: SBP-3R3 TYPE

PART NO: SBP-3R3-2090BP10B

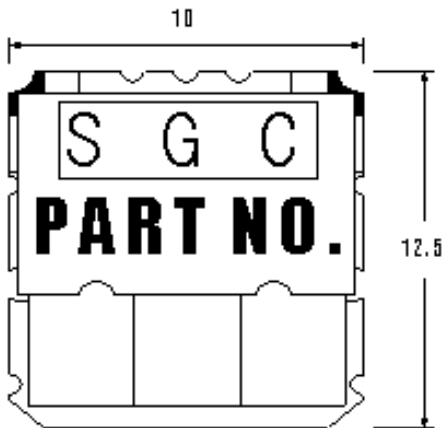
Center frequency	2090 MHz
Pole	3
Bandwidth(BW)	Fo ±5 MHz
Insertion Loss	2.0 dB max
VSWR in BW	1.5 max
Ripple in BW	0.5 dB max
Attenuation	15dB at 2150MHz
In/Out Impedance	50 ohm

NOTE:

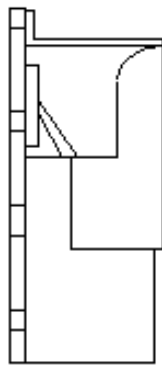
EQUIPMENT used :HP 8753E

DIMENSION:

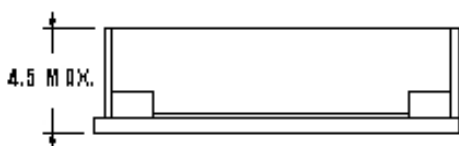
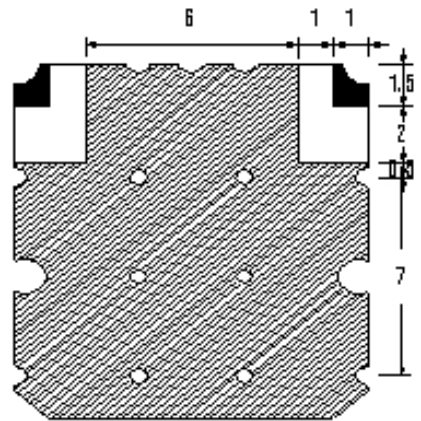
TOP VIEW



SIDE VIEW



BOTTOM VIEW



TOLERANCE UNLESS OTHERWISE SPECIFIED : ±0.3
DIMENSIONS : mm

 **GROUND**
 **I/O PORT**

SBP-3R3-2090BP10B

