

# SGC Technologies, Inc.

## PRODUCT SPECIFICATION FOR INFORMATION

**PRODUCT NAME: SBP-3R3 TYPE**

**PART NO: SBP-3R3-2305BP450B**

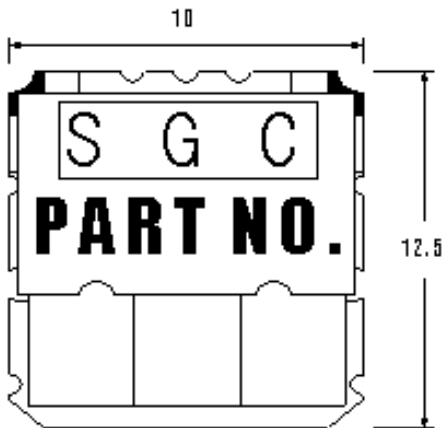
Center frequency	2305 MHz
Pole	3
-1dB Bandwidth(BW)	450MHz
Insertion Loss	2.0 dB max
VSWR in BW	2.5 max
Ripple in BW	1.0dB max
Attenuation	+/-500MHz at 8dB
In/Out Impedance	50 ohm

**NOTE:**

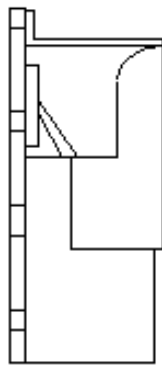
EQUIPMENT used :HP 8753E

**DIMENSION:**

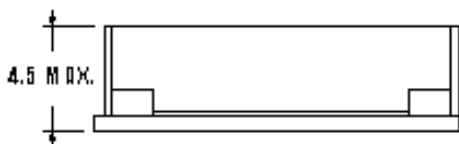
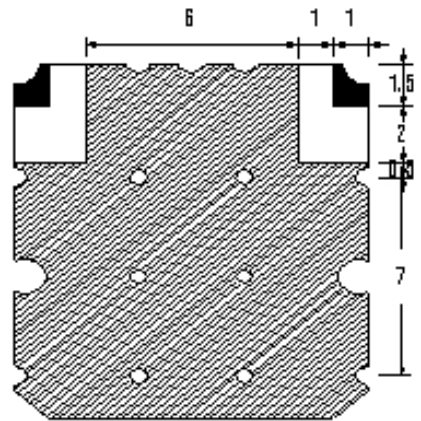
**TOP VIEW**



**SIDE VIEW**



**BOTTOM VIEW**



**TOLERANCE UNLESS OTHERWISE SPECIFIED : ±0.3**  
**DIMENSIONS : mm**

 **GROUND**  
 **I/O PORT**

# SBP-3R3-2305BP450B

