

# SGC Technologies, Inc.

## PRODUCT SPECIFICATION FOR INFORMATION

**PRODUCT NAME: SBP-3R3 TYPE**

**PART NO: SBP-3R3-2550BP60B**

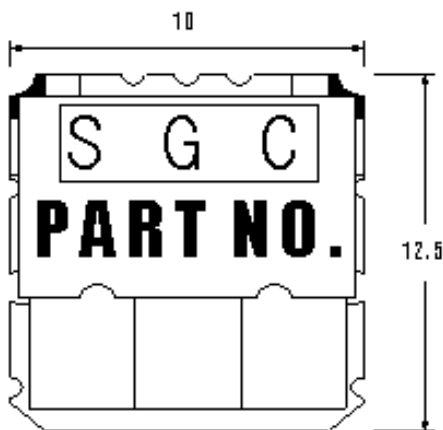
Center frequency	2550MHz
Pole	3
Bandwidth(BW)	Fo ±30 MHz
Insertion Loss	2.0 dB max
VSWR in BW	1.5 max
Ripple in BW	0.5 dB max
Attenuation	1800MHz at 30dB min
	2100MHz at 25dB min
In/Out Impedance	50 ohm

**NOTE:**

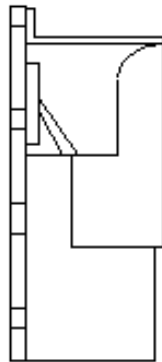
EQUIPMENT used : HP 8753E

**DIMENSION:**

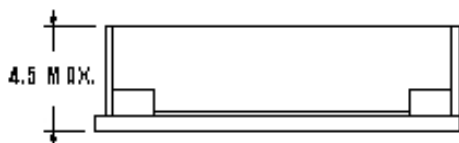
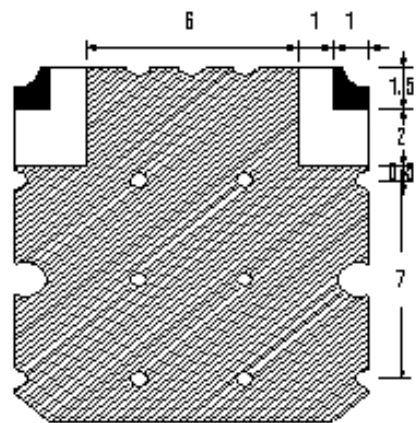
**TOP VIEW**



**SIDE VIEW**



**BOTTOM VIEW**



**TOLERANCE UNLESS OTHERWISE SPECIFIED : ±0.3**  
**DIMENSIONS : mm**

 **GROUND**  
 **I/O PORT**

# SBP-3R3-2250BP60B

