

# SGC Technologies, Inc.

## PRODUCT SPECIFICATION FOR INFORMATION

**PRODUCT NAME: SBP-3R3 TYPE**

**PART NO: SBP-3R3-2600BP28A**

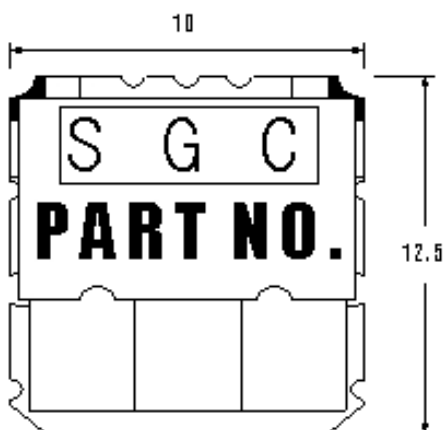
Center frequency	2600MHz
Pole	3
Bandwidth(BW)	Fo ±14MHz
Insertion Loss	3.5 dB max
Return Loss	15dB min
Ripple in BW	0.3 dB max
Attenuation	Fo ±250MHz at 45 dB min Fo ±350MHz at 45 dB min
In/Out Impedance	50 ohm

**NOTE:**

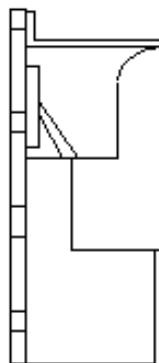
**EQUIPMENT used :HP 8753E**

**DIMENSION:**

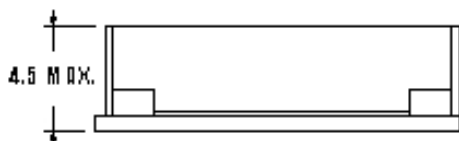
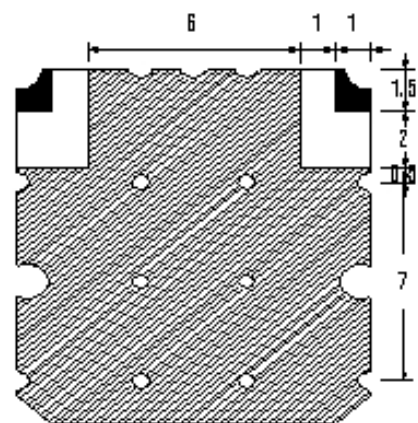
**TOP VIEW**



**SIDE VIEW**



**BOTTOM VIEW**



**TOLERANCE UNLESS OTHERWISE SPECIFIED : ±0.3  
DIMENSIONS : mm**

 **GROUND**  
 **I/O PORT**

# SBP-3R3-2600BP28A

