

SGC Technologies, Inc.

PRODUCT SPECIFICATION FOR INFORMATION

PRODUCT NAME: SBP-3R3 TYPE

PART NO: SBP-3R3-5597BP255M

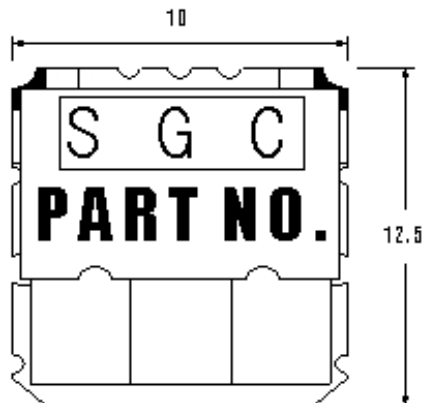
Center frequency	5597MHz
Pole	3
Bandwidth(BW)	Fo ±127.5 MHz
Insertion Loss	3.0 dB max
VSWR in BW	3.0 max
Ripple in BW	2.1 dB max
Attenuation	0.3MHz~4050MHz at 45dB min 4050MHz~4300MHz at 45dB min 4750MHz~5000MHz at 45dB min 5000MHz~5350MHz at 15dB min 5060MHz~5150MHz at 12dB min 6150MHz~6450MHz at 32dB min
In/Out Impedance	50 ohm

NOTE:

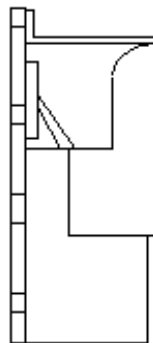
EQUIPMENT used :HP 8753E

DIMENSION:

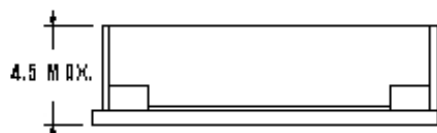
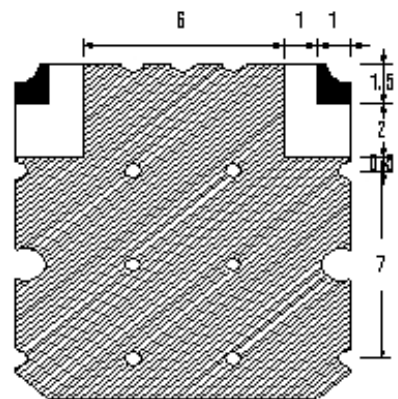
TOP VIEW



SIDE VIEW



BOTTOM VIEW



TOLERANCE UNLESS OTHERWISE SPECIFIED : ±0.3
DIMENSIONS : mm

 **GROUND**
 **I/O PORT**