

SGC Technologies, Inc.

PRODUCT SPECIFICATION FOR INFORMATION

PRODUCT NAME: SBP-3R3 TYPE

PART NO: SBP-3R3-5800BP150B

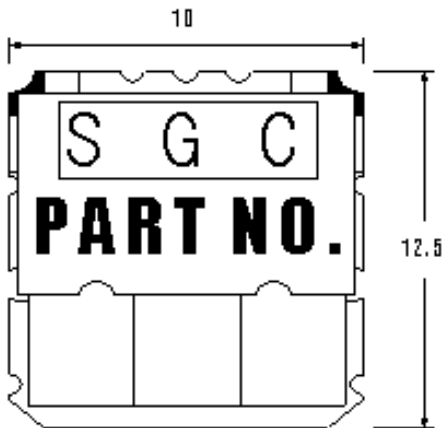
Center frequency	5800 MHz
Pole	3
Bandwidth(BW)	Fo ±75 MHz
Insertion Loss	2.0 dB max
VSWR in BW	1.5 max
Ripple in BW	0.5 dB max
Attenuation	15dB at +/-375MHz
In/Out Impedance	50 ohm

NOTE:

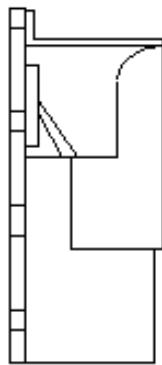
EQUIPMENT used :HP 8753E

DIMENSION:

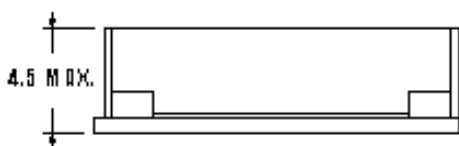
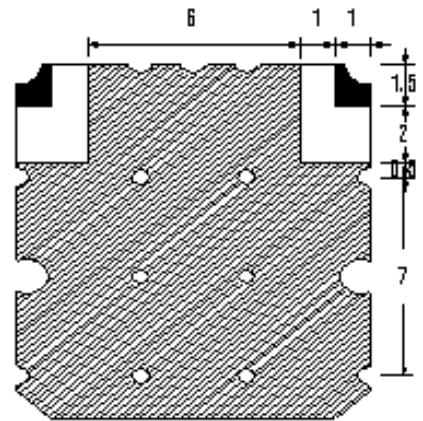
TOP VIEW



SIDE VIEW



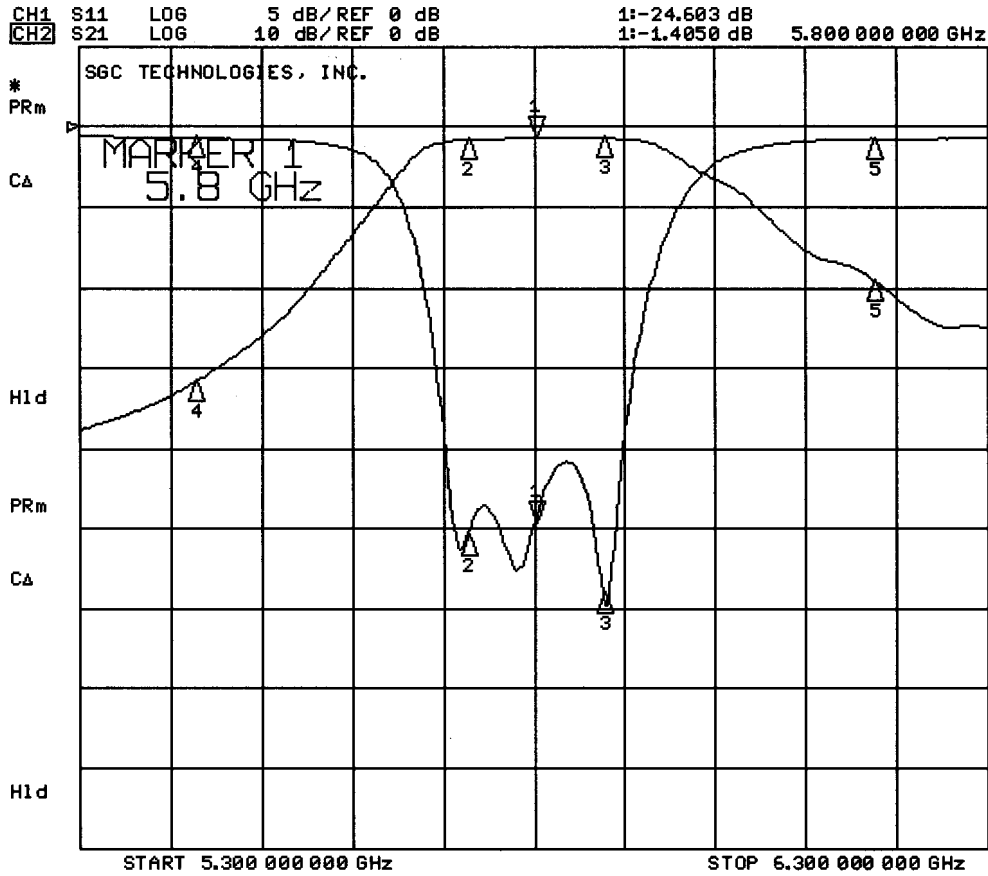
BOTTOM VIEW



TOLERANCE UNLESS OTHERWISE SPECIFIED : ±0.3
DIMENSIONS : mm

 **GROUND**
 **I/O PORT**

SBP-3R3-5800BP150B

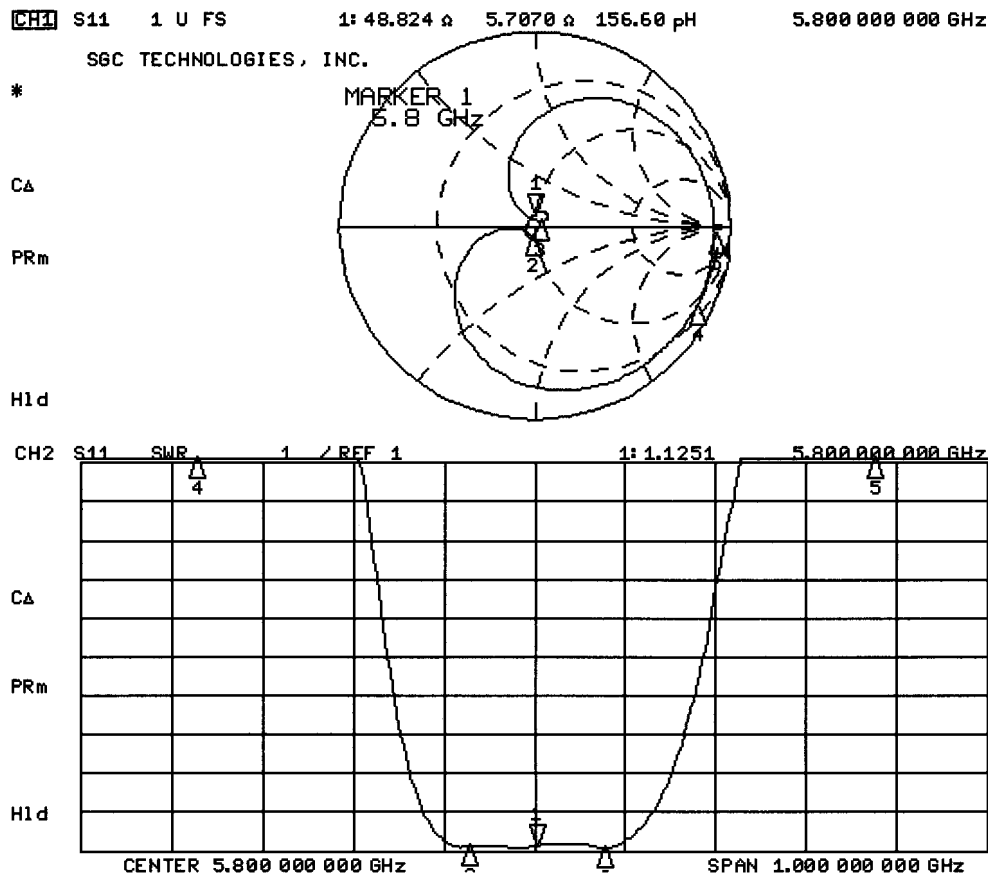


CH1 Markers

2:	-25.401 dB	5.72500 GHz
3:	-29.100 dB	5.87500 GHz
4:	-56.600 dB	5.42500 GHz
5:	-7.5000 dB	6.17500 GHz

CH2 Markers

2:	-1.6140 dB	5.72500 GHz
3:	-1.3990 dB	5.87500 GHz
4:	-31.754 dB	5.42500 GHz
5:	-19.064 dB	6.17500 GHz



CH1 Markers

2:	47.740 Ω	-4.7422 Ω	5.72500 GHz
3:	51.904 Ω	3.0215 Ω	5.87500 GHz
4:	35.531 Ω	-206.54 Ω	5.42500 GHz
5:	938.78 Ω	-452.53 Ω	6.17500 GHz

CH2 Markers

2:	1.1135	5.72500 GHz
3:	1.0727	5.87500 GHz
4:	26.091	5.42500 GHz
5:	23.146	6.17500 GHz