

SGC Technologies, Inc.

PRODUCT SPECIFICATION FOR INFORMATION

PRODUCT NAME: SBP-3R3 TYPE

PART NO: SBP-3R3-802BP10M

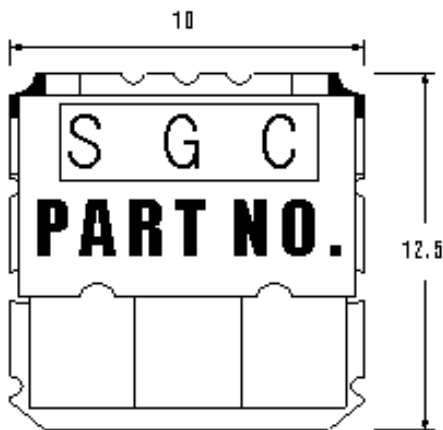
| | |
|------------------|----------------------|
| Center frequency | 802.5MHz |
| Pole | 3 |
| Bandwidth(BW) | F _o ±5MHz |
| Insertion Loss | 2.5 dB max |
| Return Loss | 15dB min |
| Ripple in BW | 1.0 dB max |
| Attenuation | |
| In/Out Impedance | 50 ohm |

NOTE:

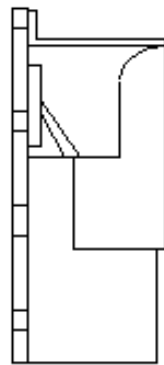
EQUIPMENT used :HP 8753E

DIMENSION:

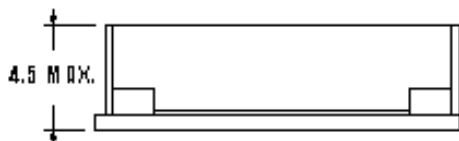
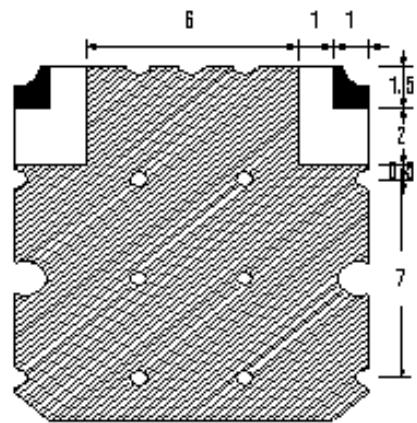
TOP VIEW



SIDE VIEW



BOTTOM VIEW



TOLERANCE UNLESS OTHERWISE SPECIFIED : ±0.3
DIMENSIONS : mm

 **GROUND**
 **I/O PORT**

SBP-3R3-802BP10M

