

SGC Technologies, Inc.

PRODUCT SPECIFICATION FOR INFORMATION

PRODUCT NAME: SBP-3R3 TYPE

PART NO: SBP-3R3-885BP15B

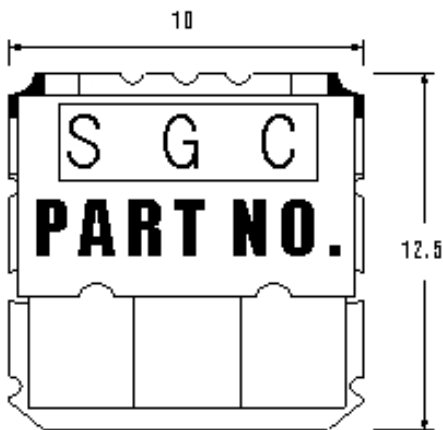
| | |
|------------------|------------------|
| Center frequency | 885 MHz |
| Pole | 3 |
| Bandwidth(BW) | Fo ±7.5 MHz |
| Insertion Loss | 3.0 dB max |
| VSWR in BW | 1.5 max |
| Ripple in BW | 0.5 dB max |
| Attenuation | +/-70MHz at 35dB |
| In/Out Impedance | 50 ohm |

NOTE:

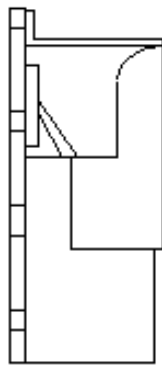
EQUIPMENT used :HP 8753E

DIMENSION:

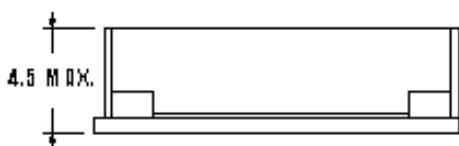
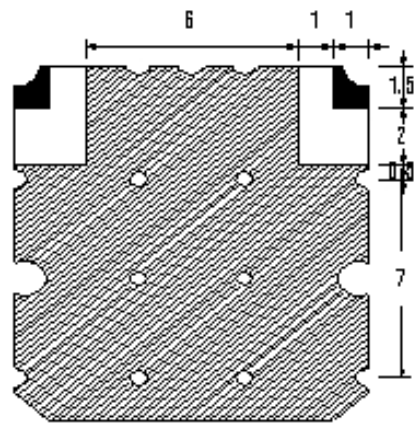
TOP VIEW



SIDE VIEW



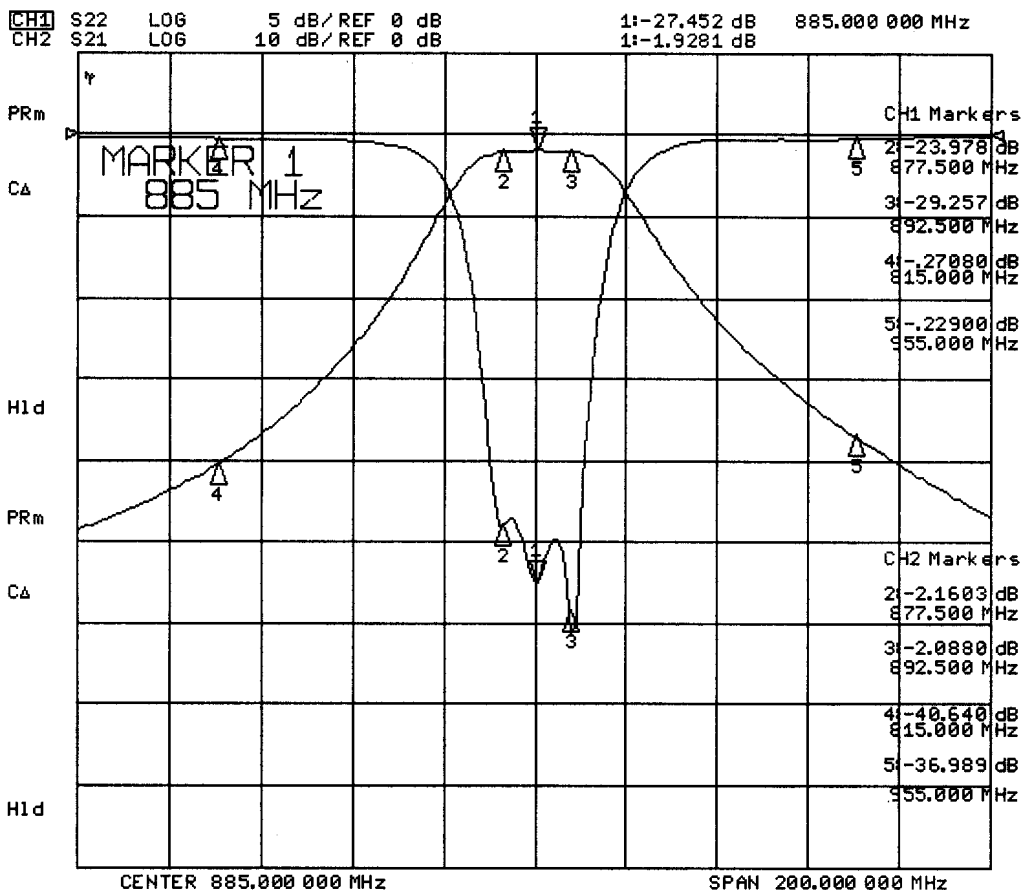
BOTTOM VIEW



**TOLERANCE UNLESS OTHERWISE SPECIFIED : ±0.3
DIMENSIONS : mm**

 **GROUND**
 **I/O PORT**

SBP-3R3-885BP15B



25 Mar 2005 16:41:07

