

SGC Technologies, Inc.

PRODUCT SPECIFICATION FOR INFORMATION

PRODUCT NAME: SBP-3R3 TYPE

PART NO: SBP-3R3-897BP20C

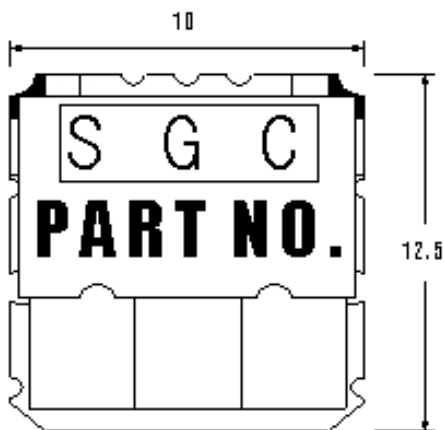
| | |
|------------------|------------------------|
| Center frequency | 897.5MHz |
| Pole | 3 |
| Band width (BW) | 20MHz |
| Insertion Loss | 2.5 dB max |
| VSWR in BW | 1.5 max |
| Ripple in BW | 0.5 dB max |
| Attenuation | 35dBc min at 792.5 MHz |
| In/Out Impedance | 50 ohm |

NOTE:

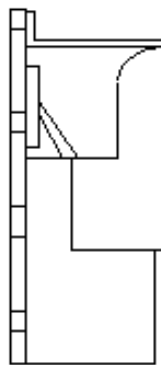
EQUIPMENT used :HP 8753E

DIMENSION:

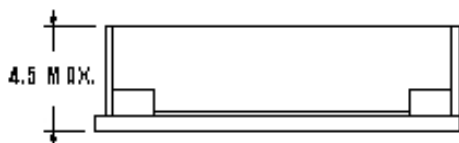
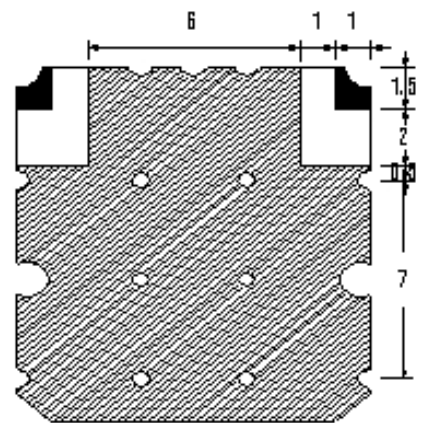
TOP VIEW



SIDE VIEW



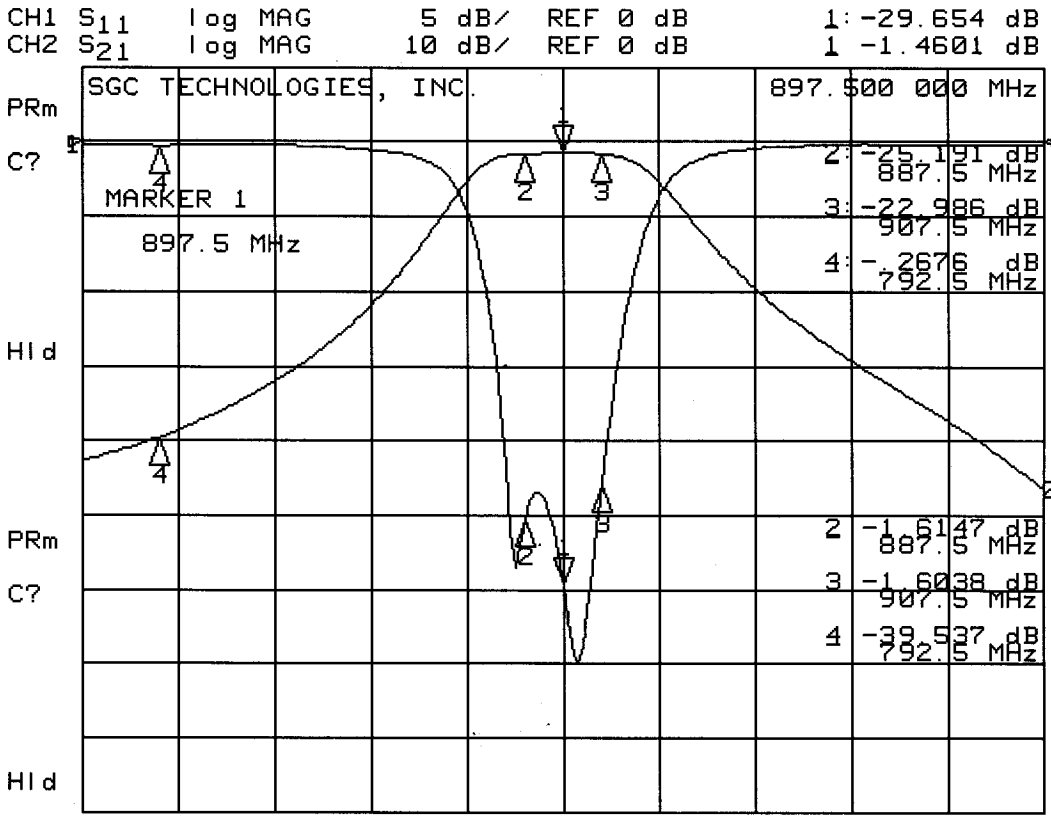
BOTTOM VIEW



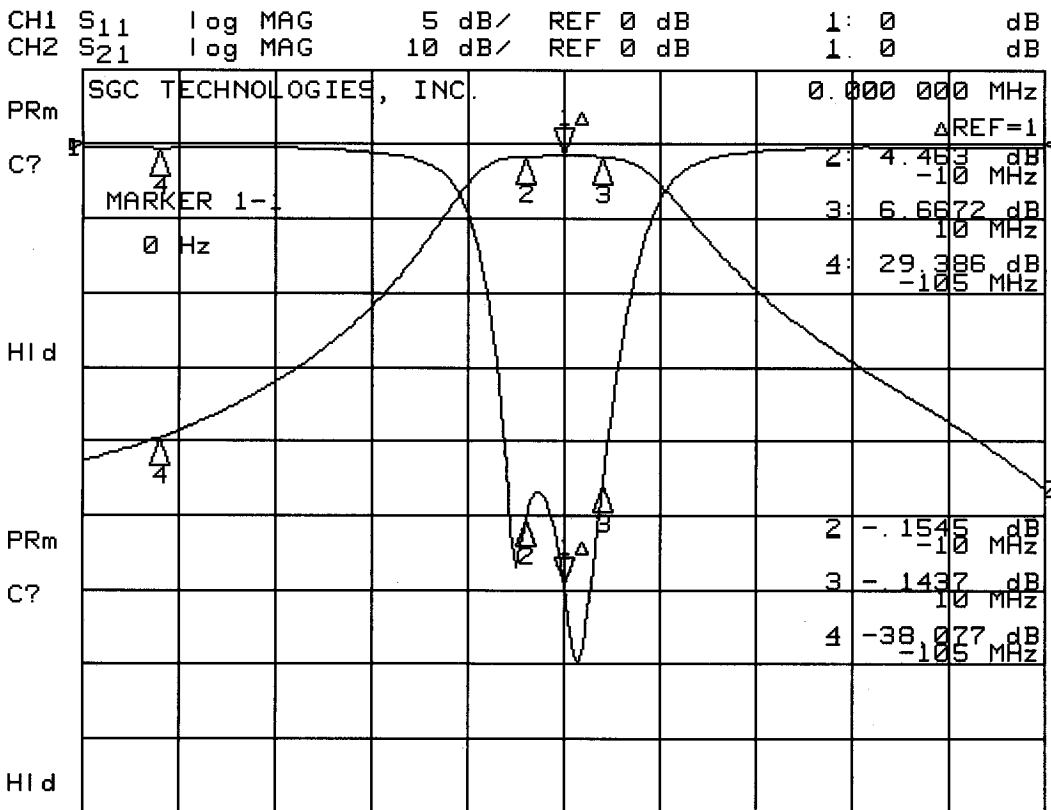
TOLERANCE UNLESS OTHERWISE SPECIFIED : ±0.3
DIMENSIONS : mm

 **GROUND**
 **I/O PORT**

SBP-3R3-897BP20C



CENTER 897.500 000 MHz SPAN 250.000 000 MHz



CENTER 897.500 000 MHz SPAN 250.000 000 MHz