

SGC Technologies, Inc.

PRODUCT SPECIFICATION FOR INFORMATION

PRODUCT NAME: SBP-3R3 TYPE

PART NO: SBP-3R3-919BP10B

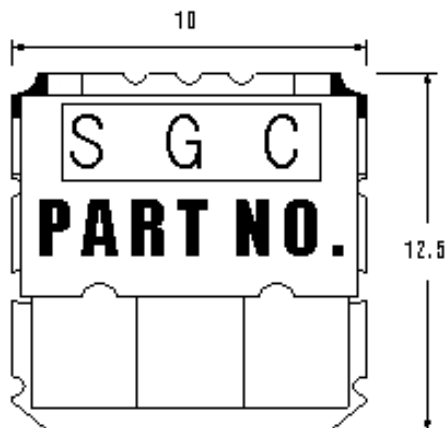
Center frequency	919MHz
Pole	3
Bandwidth(BW)	Fo ±5MHz
Insertion Loss	3.0 dB max
Return Loss	15dB min
Ripple in BW	0.5 dB max
Attenuation	Fo ±70 MHz at 35dB min
In/Out Impedance	50 ohm

NOTE:

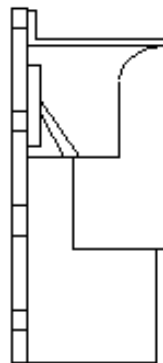
EQUIPMENT used :HP 8753E

DIMENSION:

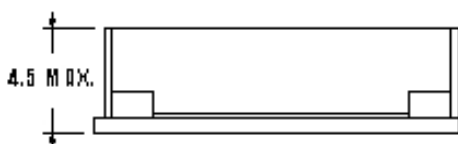
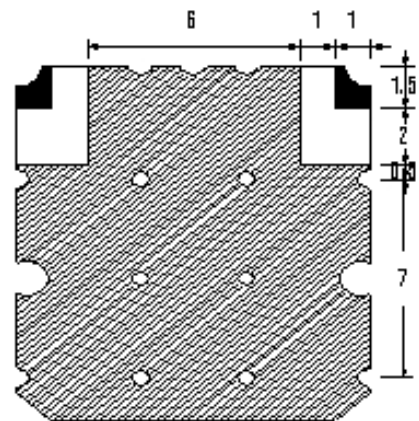
TOP VIEW



SIDE VIEW



BOTTOM VIEW



**TOLERANCE UNLESS
OTHERWISE SPECIFIED : ±0.3
DIMENSIONS : mm**

 **GROUND**
 **I/O PORT**

SBP-3R3-919BP10B

