

SGC Technologies, Inc.

PRODUCT SPECIFICATION FOR INFORMATION

PRODUCT NAME: SBP-3R3 TYPE

PART NO: SBP-3R3-940BP10C

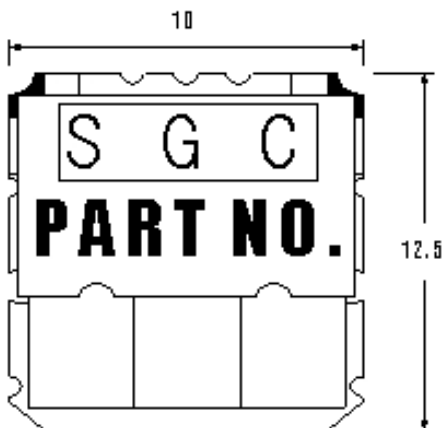
Center frequency	940MHz
Pole	3
Bandwidth(BW)	Fo ±5MHz
Insertion Loss	2.5 dB max
Return Loss	15dB min
Ripple in BW	1.0 dB max
Attenuation	Fo ±40 MHz at 20dB min
In/Out Impedance	50 ohm

NOTE:

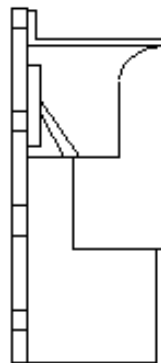
EQUIPMENT used :HP 8753E

DIMENSION:

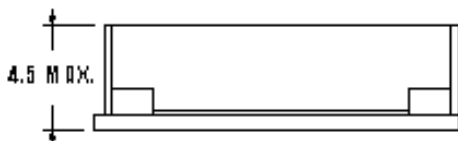
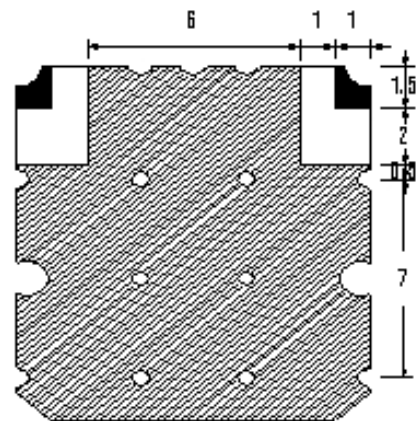
TOP VIEW



SIDE VIEW



BOTTOM VIEW



**TOLERANCE UNLESS
OTHERWISE SPECIFIED : ±0.3
DIMENSIONS : mm**

 **GROUND**
 **I/O PORT**

SBP-3R3-940BP10C

