

SGC Technologies, Inc.

PRODUCT SPECIFICATION FOR INFORMATION

PRODUCT NAME: SBP-3R6 TYPE

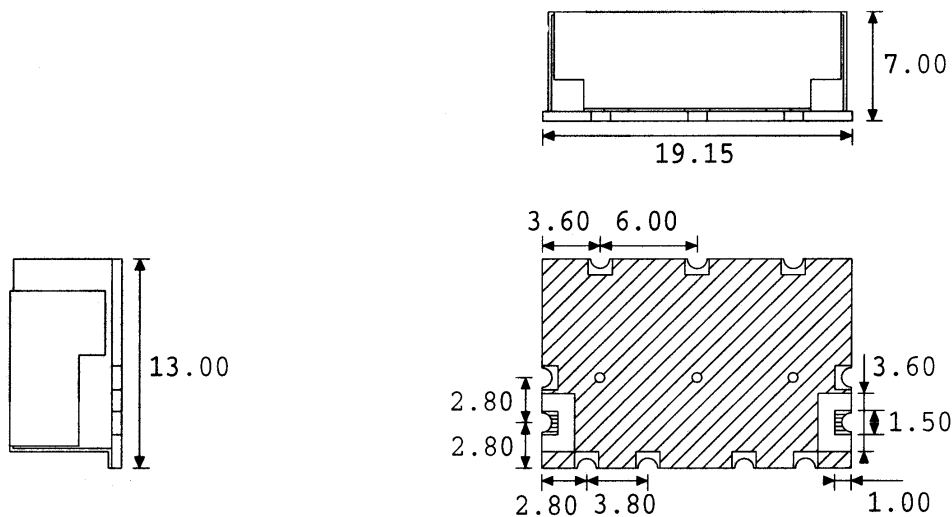
PART NO: SBP-3R6-1080BP6M

Center frequency	1080MHz
Pole	3
Band width (BW)	Fo \pm 3MHz
Insertion Loss	5 dB max
Return Loss	12dB min
Group Delay	20ns
Ripple in BW	1.5 dB max
Attenuation	Fo \pm 14MHz at 16dBc min
	Fo \pm 56MHz at 40dBc min
In/Out Impedance	50 Ω

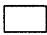


NOTE:

EQUIPMENT used :HP 8753E

DIMENSION:



UNIT: mm
TOLERANCE: ± 0.2

-  GROUND
-  IN/OUT
-  SOLDER MASK