

SGC Technologies, Inc.

PRODUCT SPECIFICATION FOR INFORMATION

PRODUCT NAME: SBP-3R6-2146BP26M TYPE

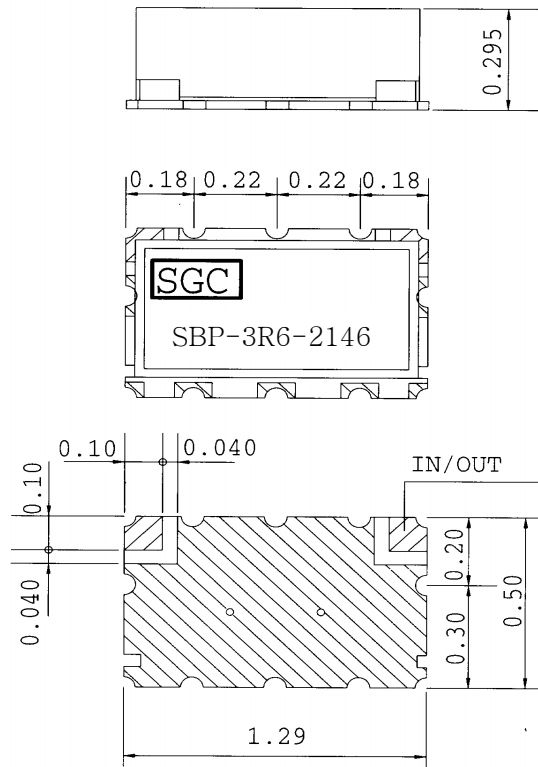
PART NO: SBP-3R6-2146BP26M

Center frequency	2146MHz
Pole	3
Bandwidth(BW)	Fo ±13 MHz
Insertion Loss	3.0 dB MAX
VSWR in BW	1.5 MAX
Ripple in BW	0.3 dB MAX
Attenuation	45dB MIN at -155 MHz
In/Out Impedance	50 ohm

NOTE:

EQUIPMENT used :HP 8753E

DIMENSION:



TOLERANCE UNLESS SPECIFIED: +,
UNIT : INCH