

# SGC Technologies, Inc.

## PRODUCT SPECIFICATION FOR INFORMATION

**PRODUCT NAME: SBP-3R6 TYPE**

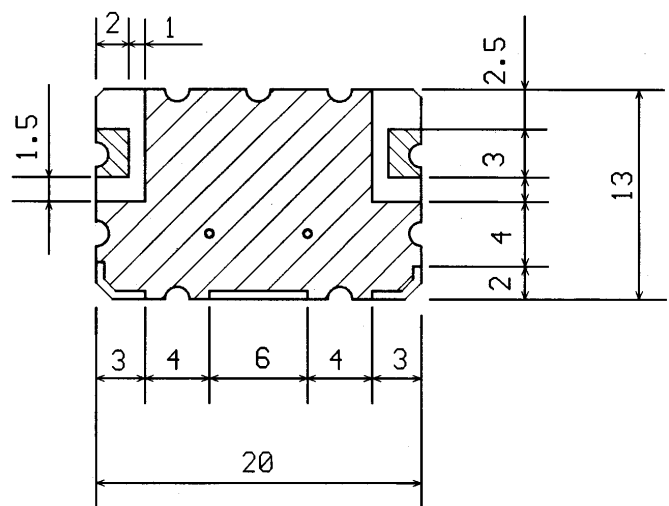
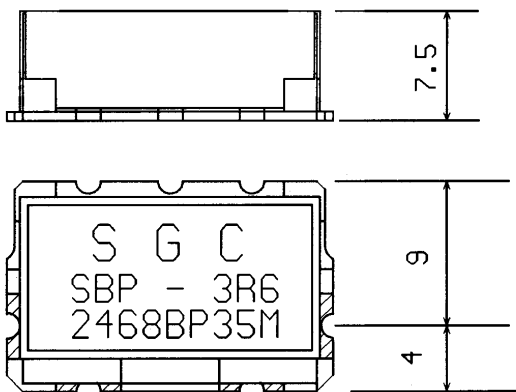
**PART NO: SBP-3R6-2468BP35M**

Center frequency	2468 MHz
Pole	3
Bandwidth(BW)	35 MHz MAX
Insertion Loss	1.7 dB MAX
VSWR in BW	1.5 MAX
Ripple	0.5 dB MAX at Fo +/- 17.5MHz
Attenuation	15 dB MIN at Fo +/- 70MHz
In/Out Impedance	50 ohm

**NOTE:**

**EQUIPMENT used :HP 8753D**

**DIMENSION:**

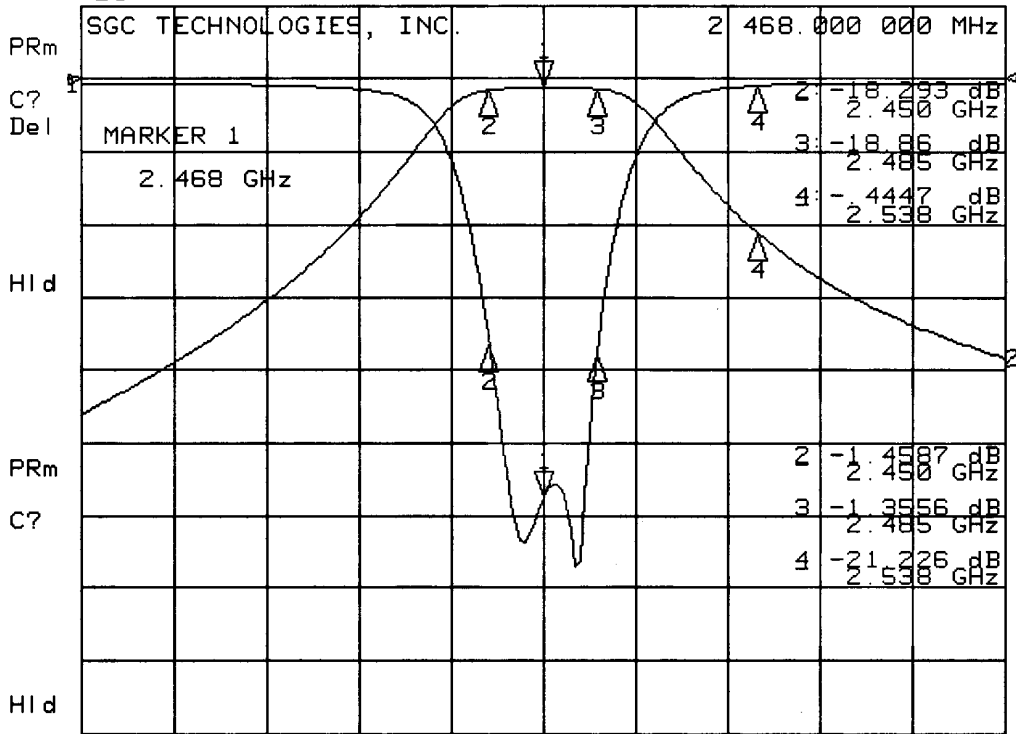


UNIT: mm  
TOLERANCE: +/- 0.3

SBP-3R6-2468BP35M

8 Aug 2002 18:52:33

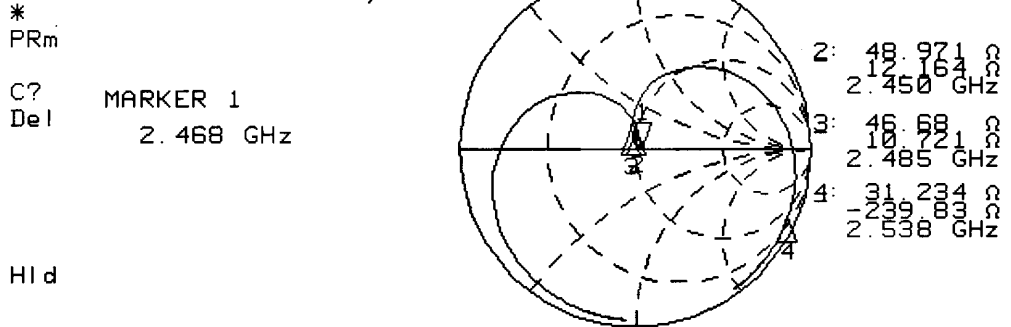
CH1 S<sub>11</sub> log MAG 5 dB/ REF 0 dB 1: -28.789 dB  
 CH2 S<sub>21</sub> log MAG 10 dB/ REF 0 dB 1: -1.2291 dB



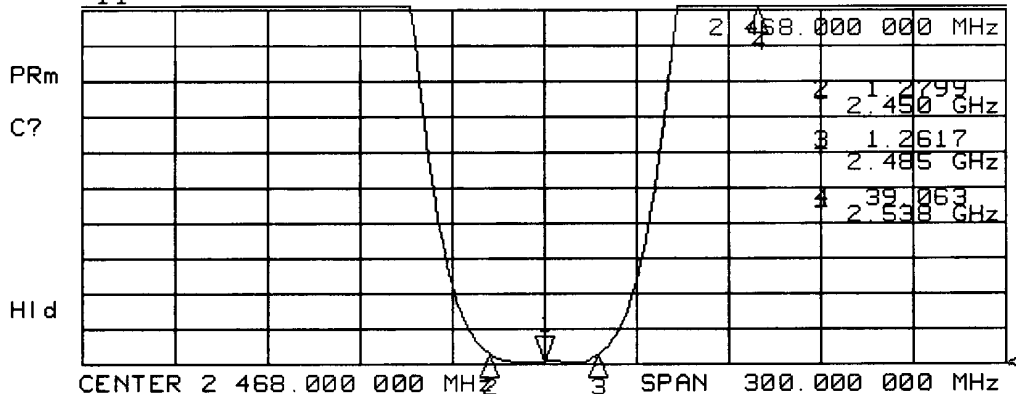
CENTER 2 468.000 000 MHz SPAN 300.000 000 MHz

8 Aug 2002 18:52:42

CH1 S<sub>11</sub> 1 U FS 1: 53.75 Ω 0.4219 Ω 27.206 pF  
 SGC TECHNOLOGIES, INC. 2 468.000 000 MHz



CH2 S<sub>11</sub> SWR 1 / REF 1 1 1.0754



CENTER 2 468.000 000 MHz SPAN 300.000 000 MHz