

SGC Technologies, Inc.

ISSUED DATE : 07/11/2003

PRODUCT SPECIFICATION FOR INFORMATION

CUSTOMER : (주)SK텔레시스

PRODUCT NAME: SBP- 3R8- TYPE

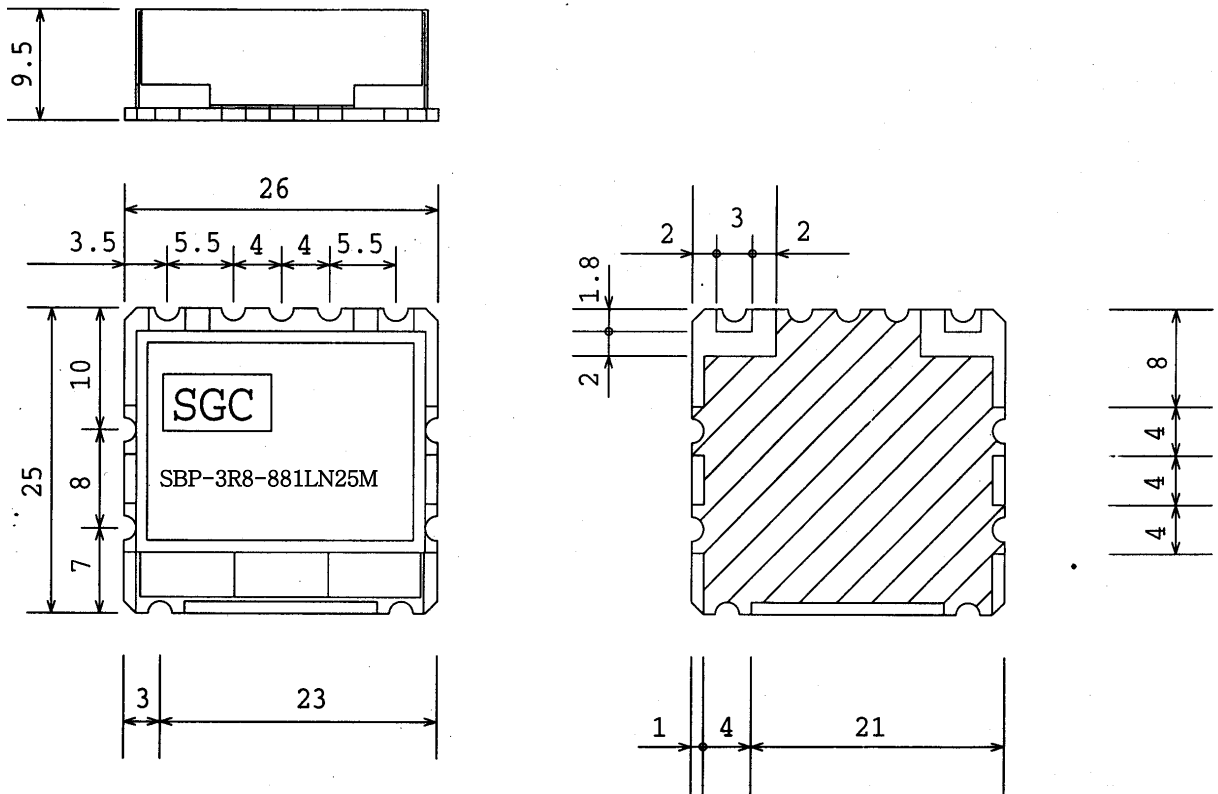
PART NO: SBP-3R8-881LN25M

Center frequency	881MHz
Pole	3
Bandwidth(BW)	Fo ±12.5 MHz
Insertion Loss	1 dB max
VSWR in BW	1.4 max
Ripple in BW	0.5 dB max
Attenuation	20dB min (at 824~849MHz)
In/Out Impedance	50 ohm

NOTE:

EQUIPMENT used :HP 8753E

DIMENSION:



SBP-3R8-881LN25M

