

SGC Technologies, Inc.

DRAWN BY : JAE HO SHIN

APPROVAL BY : SOO BUM PARK

ISSUED DATE : 11/11/2003

PRODUCT SPECIFICATION FOR INFORMATION

CUSTOMER: DEKOLINK

PRODUCT NAME: SBP-4R3 TYPE

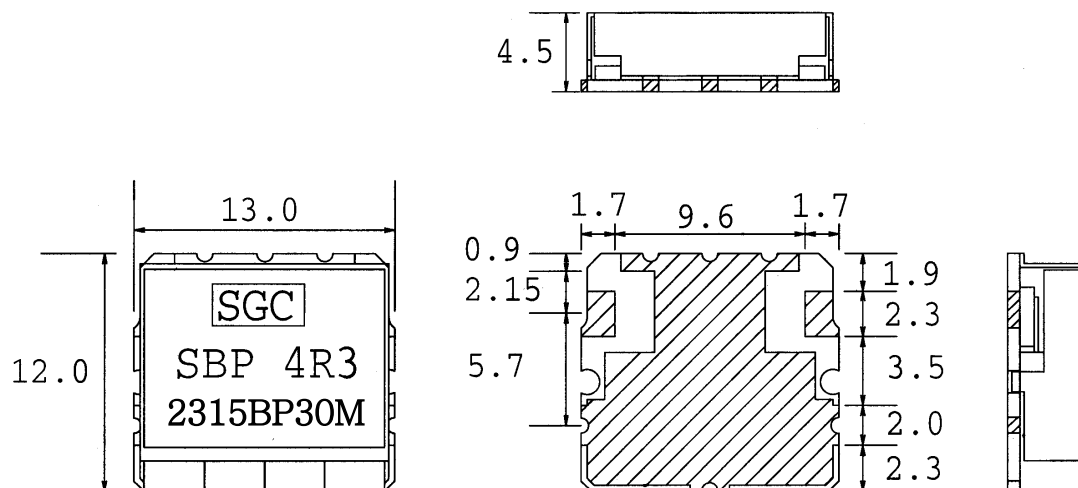
PART NO: SBP-4R3-2315BP30M

Center frequency	2315MHz
Pole	4
Bandwidth(BW)	Fo ±15 MHz
Insertion Loss	2.7 dB max
VSWR in BW	1.5 max
Ripple in BW	0.5 dB max
Attenuation	Fo ±70MHz at 15dB min
	Fo ±160MHz at 45dB min
In/Out Impedance	50 ohm

NOTE:

EQUIPMENT used :HP 8753E

DIMENSION:

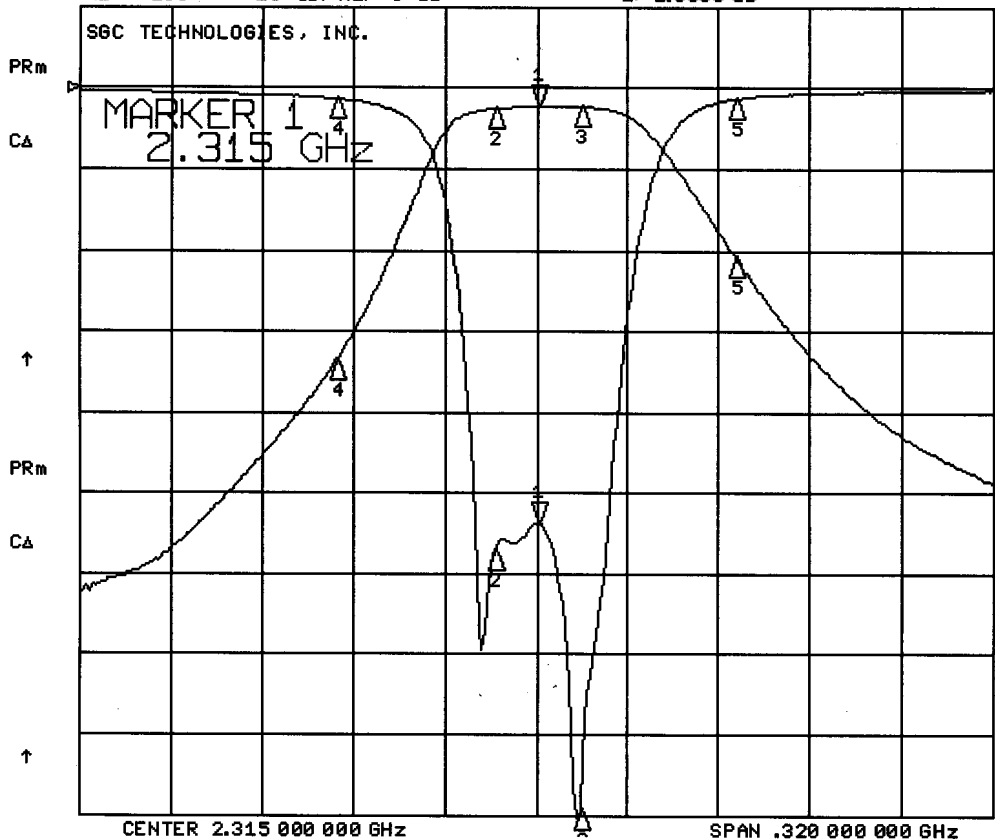


UNIT: mm

TOLERANCE: +/- 0.3

SBP-4R3-2315BP30M

CH1 S11 LOG 5 dB/REF 0 dB 1:-26.861 dB 2.315 000 000 GHz
 CH2 S21 LOG 10 dB/REF 0 dB 1:-2.3050 dB



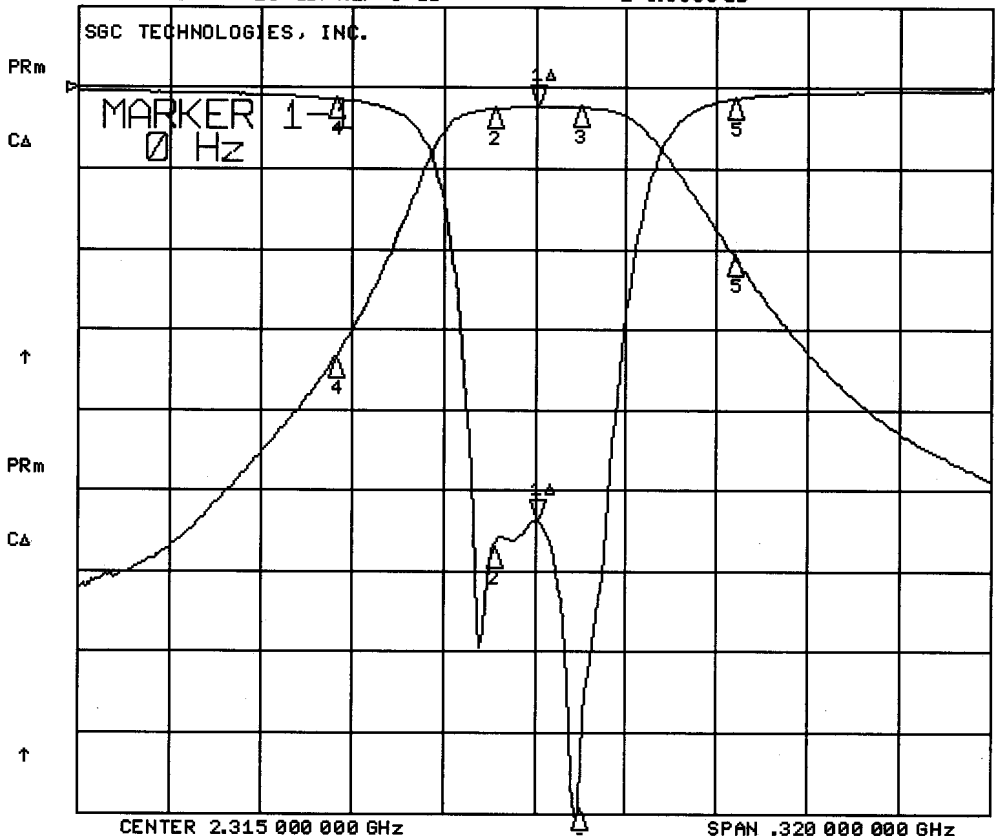
CH1 Markers

- 2:-28.619 dB
2.30000 GHz
- 3:-45.594 dB
2.33000 GHz
- 4:-67.500 dB
2.24500 GHz
- 5:-65.300 dB
2.38500 GHz

CH2 Markers

- 2:-2.5430 dB
2.30000 GHz
- 3:-2.3140 dB
2.33000 GHz
- 4:-33.496 dB
2.24500 GHz
- 5:-20.815 dB
2.38500 GHz

CH1 S11 LOG 5 dB/REF 0 dB 1: 0.0000 dB 0.000 000 000 GHz
 CH2 S21 LOG 10 dB/REF 0 dB 1: 0.0000 dB



CH1 Markers

- Δ REF = 1
- 2:-1.7550 dB
-15.0000 MHz
- 3:-18.781 dB
15.0000 MHz
- 4: 26.191 dB
-70.0000 MHz
- 5: 26.214 dB
70.0000 MHz

CH2 Markers

- 2:-2.3600 dB
-15.0000 MHz
- 3:-0.0600 dB
15.0000 MHz
- 4:-31.186 dB
-70.0000 MHz
- 5:-18.517 dB
70.0000 MHz