

SGC Technologies, Inc.

PRODUCT SPECIFICATION FOR INFORMATION

PRODUCT NAME: SBP-4R3 TYPE

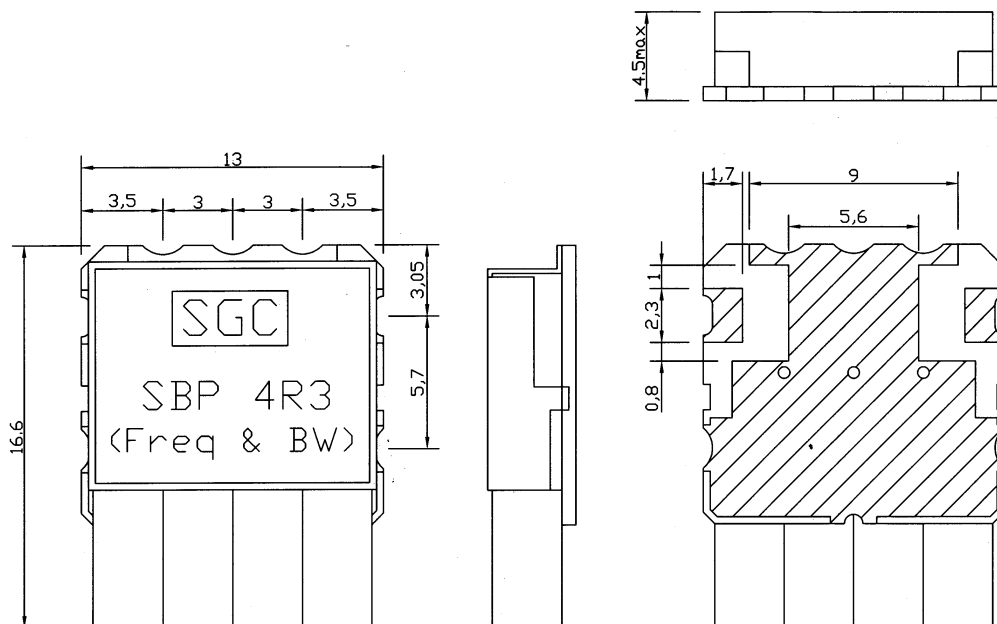
PART NO: SBP-4R3-677BP20A

Center frequency	677MHz
Pole	4
Bandwidth(BW)	Fo ±10MHz
Insertion Loss	3.0 dB MAX
VSWR in BW	1.3 MAX
Ripple in BW	0.3 dB MAX
Attenuation	Fo + 160MHz at 55 dB min
In/Out Impedance	50 ohm

NOTE:

EQUIPMENT used :HP 8753E

DIMENSION:



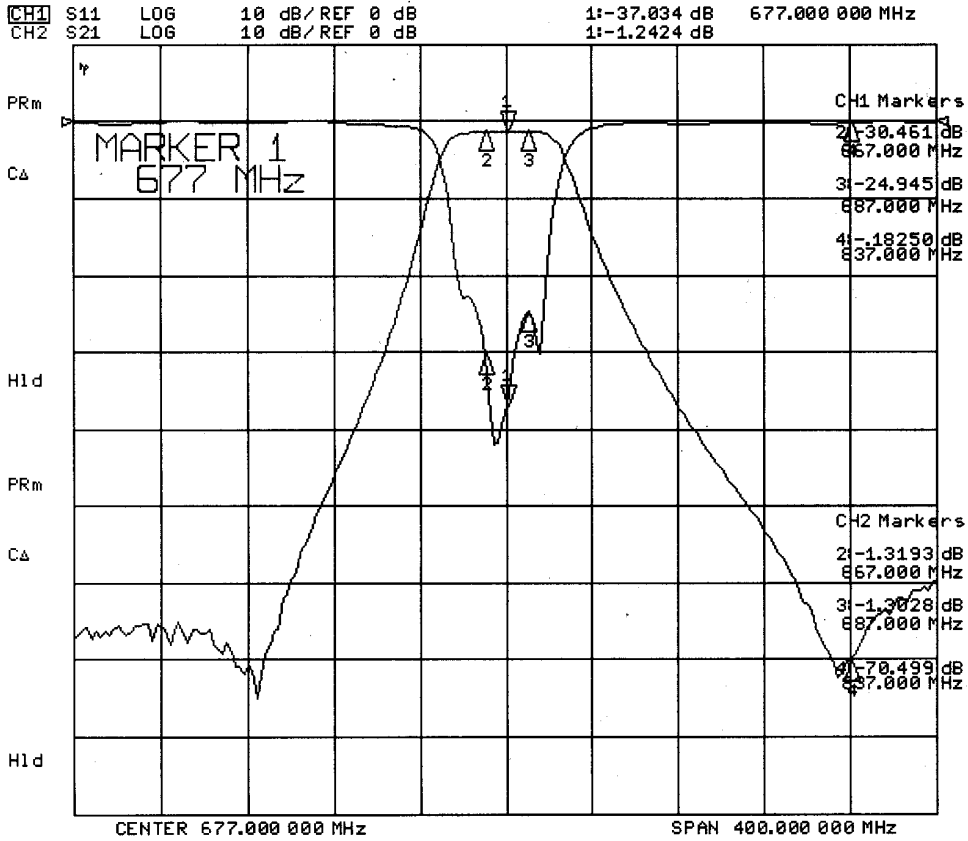
±0.2

UNIT:mm

TOLERANCE:±0.3

SBP-4R3-677BP20A

7 Oct 2004 08:57:13



7 Oct 2004 08:57:22

