

# SGC Technologies, Inc.

## PRODUCT SPECIFICATION FOR INFORMATION

**PRODUCT NAME: SBP-6R6 TYPE**

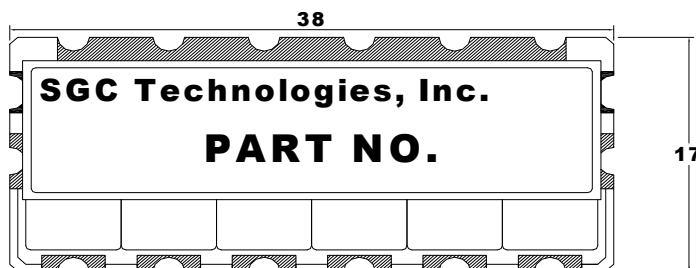
**PART NO: SBP-6R6-1360BP23B**

Center frequency	1360MHz
Pole	6
Bandwidth(BW)	Fo ±11.5 MHz
Insertion Loss	3.0 dB MAX
VSWR in BW	1.5 MIN
Ripple in BW	0.5 dB MAX
Attenuation	60dB min at Fo +/-98MHz
In/Out Impedance	50 ohm

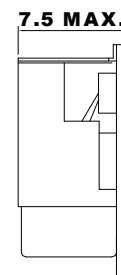
**NOTE:**

**EQUIPMENT used :HP 8753E**

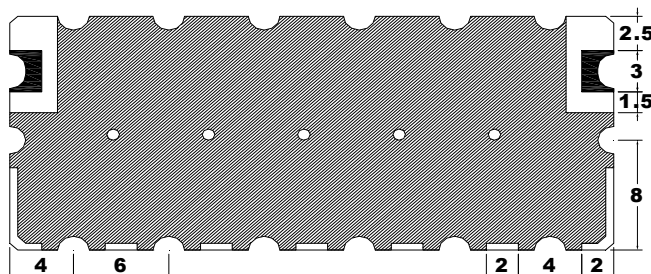
**TOP VIEW**



**SIDE VIEW**



**BOTTOM VIEW**

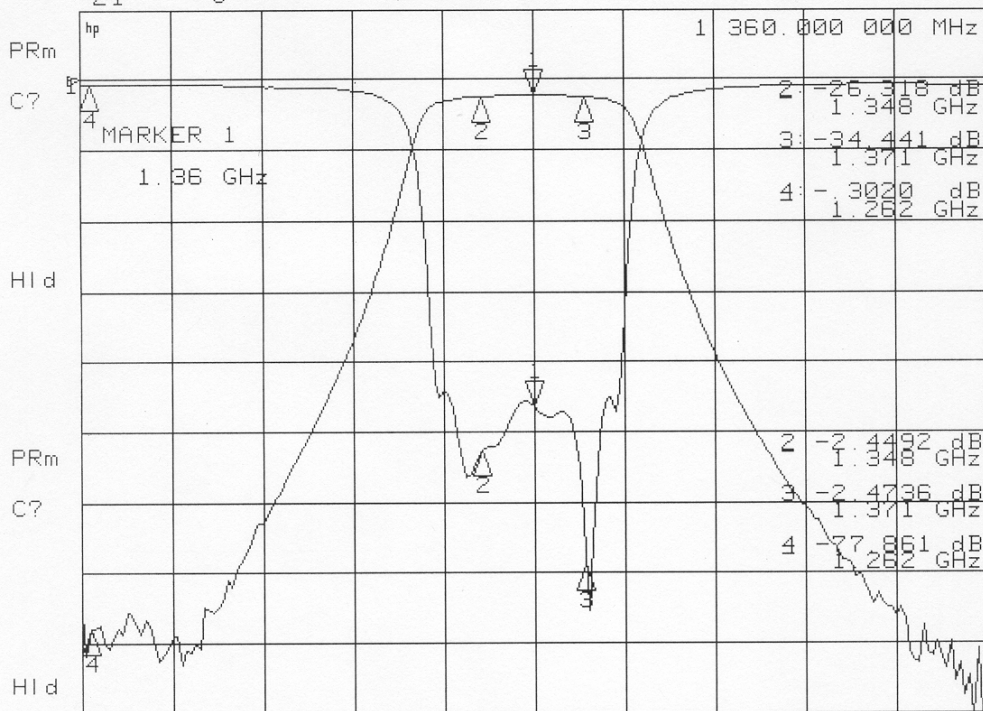


**TOLERANCE UNLESS OTHERWISE SPECIFIED : ±0.3  
DIMENSIONS : mm**

 **GROUND**  
 **I/O PORT**

### SBP-6R6-1360BP23B

CH1 S<sub>11</sub> log MAG 5 dB/ REF 0 dB 1: -23.169 dB  
 CH2 S<sub>21</sub> log MAG 10 dB/ REF 0 dB 1: -2.222 dB



CENTER 1 360.000 000 MHz      SPAN 200.000 000 MHz

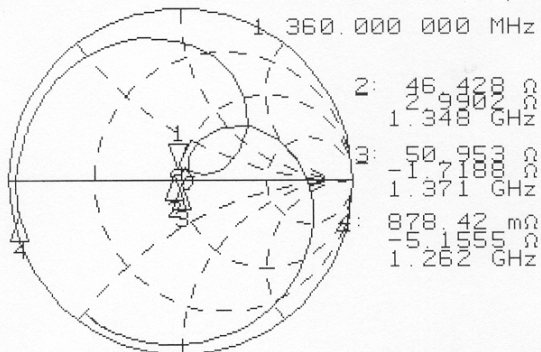
22 Apr 2004 11:13:51

CH1 S<sub>11</sub> 1 U FS 1: 47.869 Ω 6.4668 Ω 756.78 pF

hp 1 360.000 000 MHz

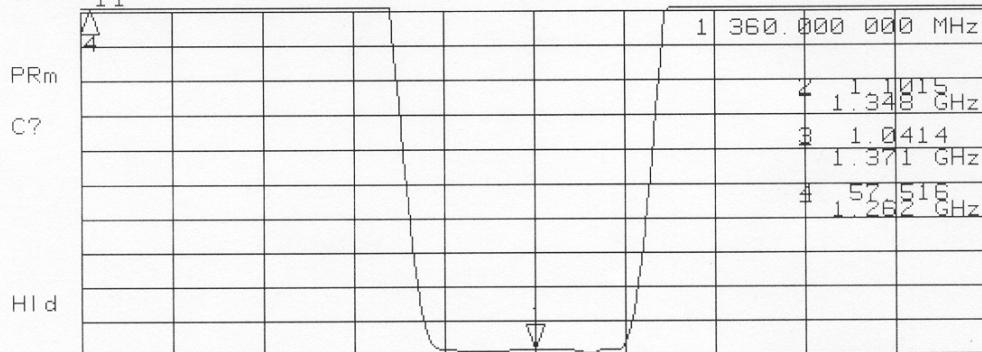
\* PRm

C? MARKER 1  
1.36 GHz



HI d

CH2 S<sub>11</sub> SWR 1 / REF 1 1 1.1492



CENTER 1 360.000 000 MHz      SPAN 200.000 000 MHz