

SGC Technologies, Inc.

PRODUCT SPECIFICATION FOR INFORMATION

PRODUCT NAME: SDPX-947-10R6-902BP25D TYPE

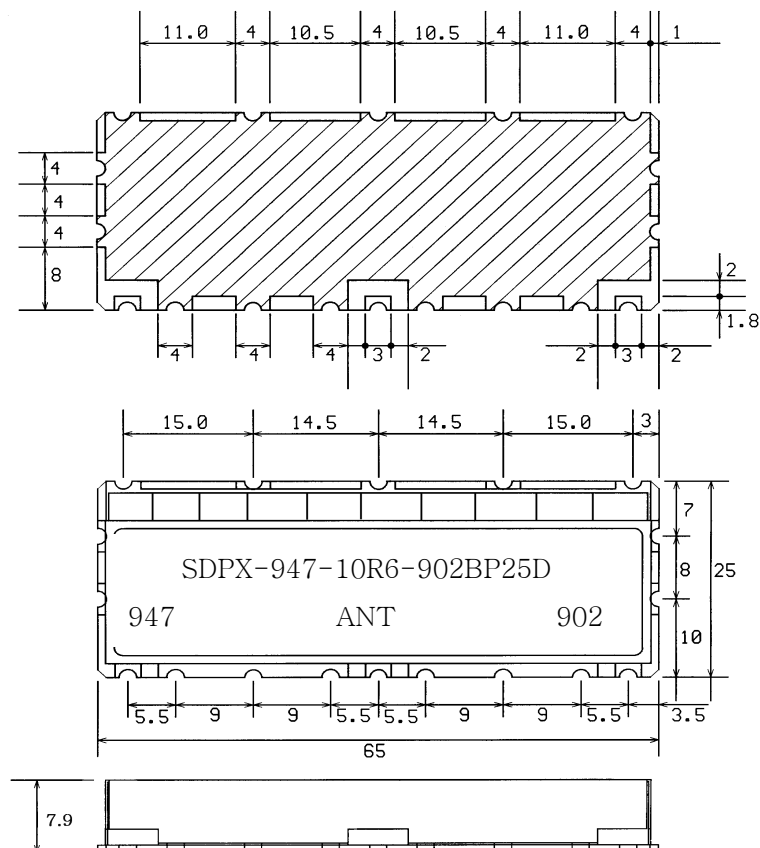
PART NO: SDPX-947-10R6-902BP25D

Center frequency	902.5 MHz	947.5 MHz
Pole	5	5
Bandwidth(BW)	$F_o \pm 7.5$ MHz	$F_o \pm 7.5$ MHz
Insertion Loss	2.5 dB max	2.5 dB max
Return Loss	17 dB max	17 dB max
Ripple in BW	1.5 dB max	1.5 dB max
Attenuation	70dB min at TX	70dB min at RX
In/Out Impedance	50 ohm	50 ohm

NOTE:

EQUIPMENT used :HP 8753E

DIMENSION:



Unit : mm
Tolerance : +/-0.3