

# SGC Technologies, Inc.

## PRODUCT SPECIFICATION FOR INFORMATION

**PRODUCT NAME: SDPX-8R8- TYPE**

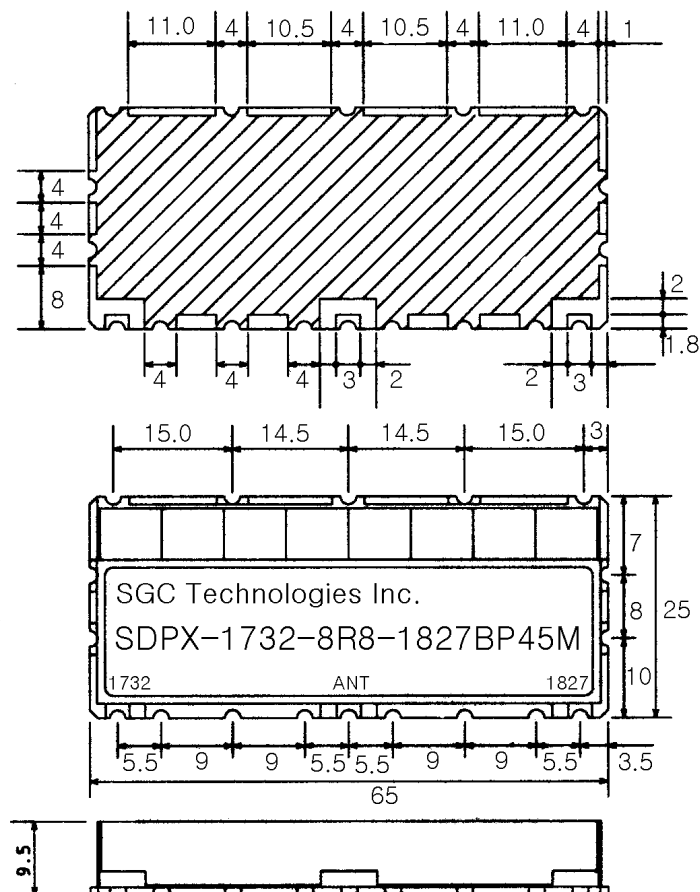
**PART NO: SDPX-1732-8R8-1827BP45M**

Center frequency	1732.5 MHz	1827.5 MHz
Pole	4	4
Bandwidth(BW)	Fo ±22.5 MHz	Fo ±22.5 MHz
Insertion Loss	2.0 dB MAX	2.0 dB MAX
VSWR in BW	1.4 MAX	1.4 MAX
Ripple in BW	1.0 dB MAX	1.0 dB MAX
Attenuation	50dB MIN at 1805MHz-1850MHz	50dB MIN at 1710MHz-1755MHz
In/Out Impedance	50 ohm	50 ohm

**NOTE:**

EQUIPMENT used :HP 8753E

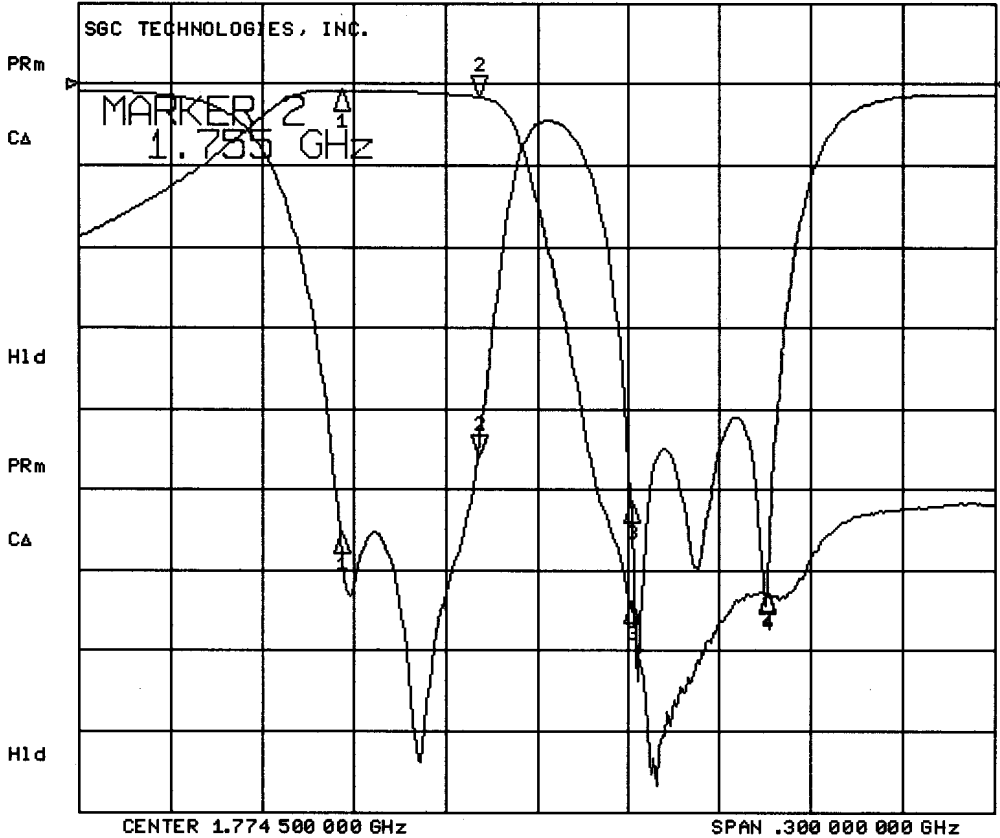
**DIMENSION:**



Unit : mm

# SDPX-1732-8R8-1827BP45M

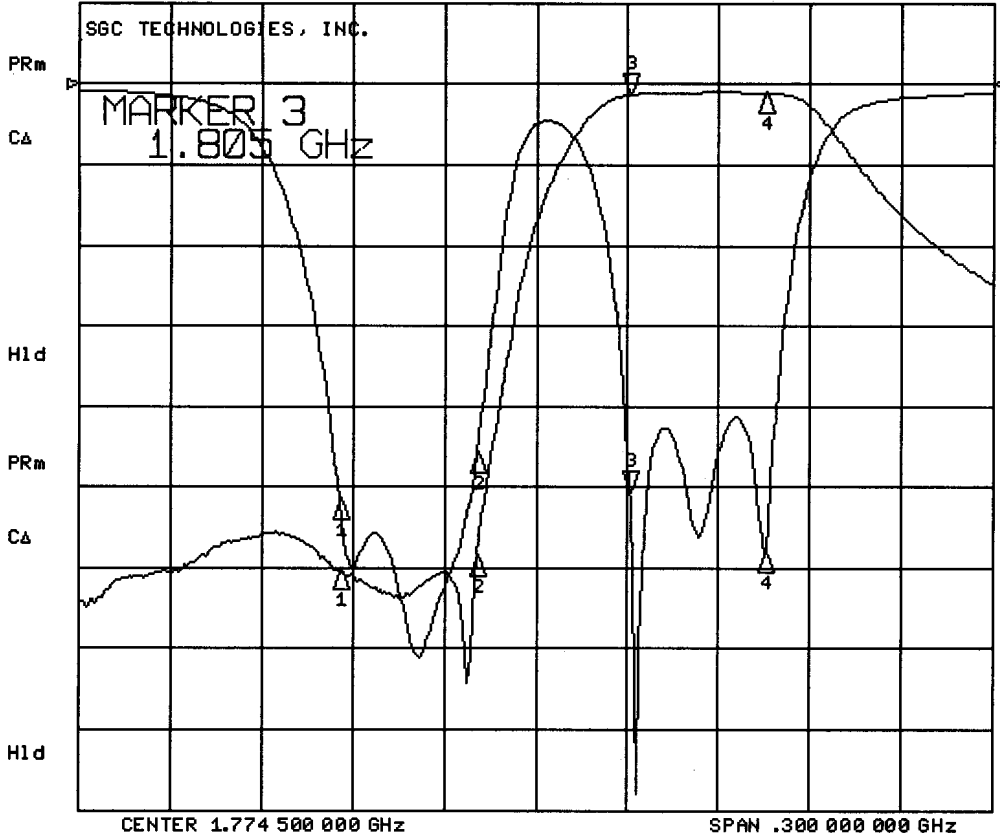
**[CH1]** S11 LOG 5 dB/REF 0 dB 2:-22.862 dB 1.755 000 000 GHz  
**CH2** S21 LOG 10 dB/REF 0 dB 2:-1.5730 dB



**CH1 Markers**  
 1:-27.703 dB  
   1.71000 GHz  
 3:-25.772 dB  
   1.80500 GHz  
 4:-31.401 dB  
   1.85000 GHz

**CH2 Markers**  
 1:-7.9800 dB  
   1.71000 GHz  
 3:-64.147 dB  
   1.80500 GHz  
 4:-63.000 dB  
   1.85000 GHz

**[CH1]** S22 LOG 5 dB/REF 0 dB 3:-25.270 dB 1.805 000 000 GHz  
**CH2** S21 LOG 10 dB/REF 0 dB 3:-1.3020 dB



**CH1 Markers**  
 1:-25.788 dB  
   1.71000 GHz  
 2:-22.950 dB  
   1.75500 GHz  
 4:-29.074 dB  
   1.85000 GHz

**CH2 Markers**  
 1:-60.365 dB  
   1.71000 GHz  
 2:-58.490 dB  
   1.75500 GHz  
 4:-1.0290 dB  
   1.85000 GHz