

SGC Technologies, Inc.

PRODUCT SPECIFICATION FOR INFORMATION

PRODUCT NAME: SDPX-8R8- TYPE

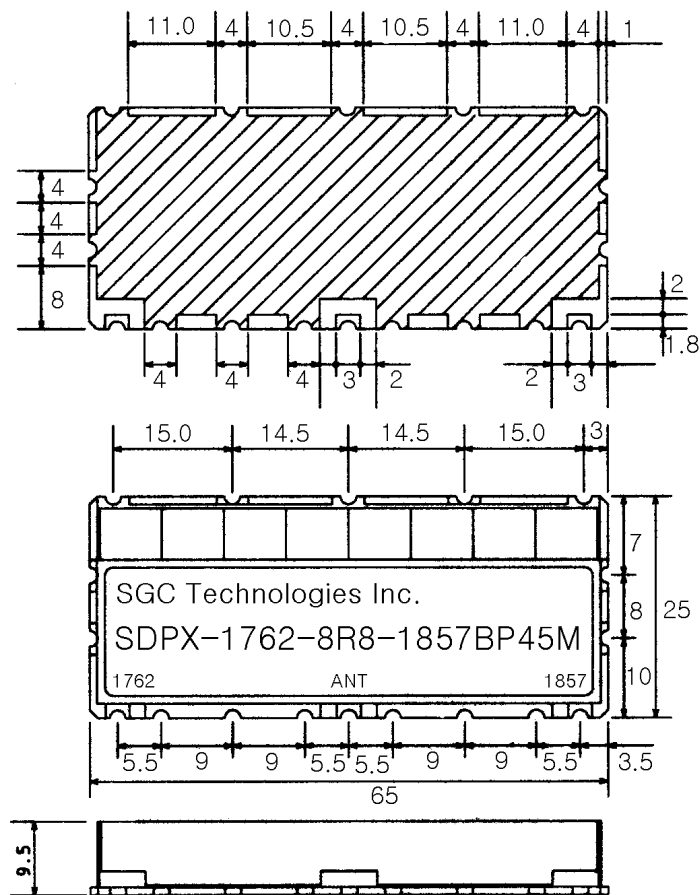
PART NO: SDPX-1762-8R8-1857BP45M

Center frequency	1762.5 MHz	1857.5 MHz
Pole	4	4
Bandwidth(BW)	Fo ±22.5 MHz	Fo ±22.5 MHz
Insertion Loss	2.0 dB MAX	2.0 dB MAX
VSWR in BW	1.4 MAX	1.4 MAX
Ripple in BW	1.0 dB MAX	1.0 dB MAX
Attenuation	50dB MIN at 1835MHz-1880MHz	50dB MIN at 1740MHz-1785MHz
In/Out Impedance	50 ohm	50 ohm

NOTE:

EQUIPMENT used :HP 8753E

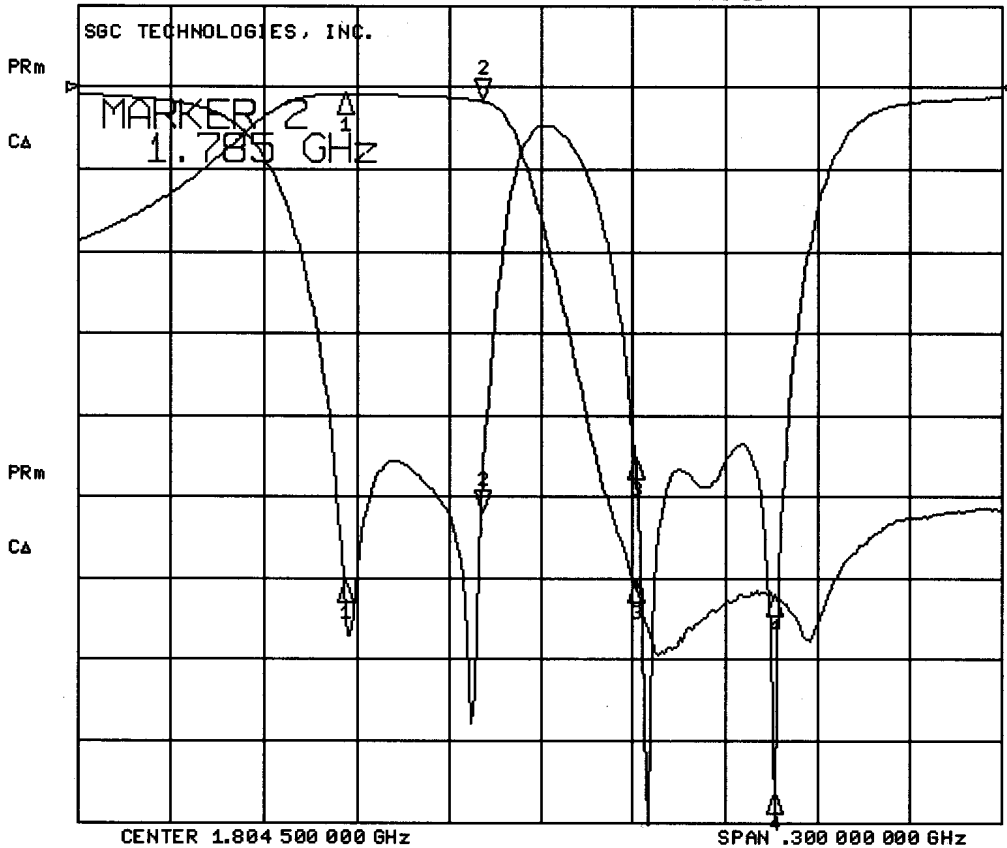
DIMENSION:



Unit : mm

SDPX-1762-8R8-1857BP45M

CH1 S11 LOG 5 dB/REF 0 dB 2i-25.932 dB 1.785 000 000 GHz
CH2 S21 LOG 10 dB/REF 0 dB 2i-1.6960 dB



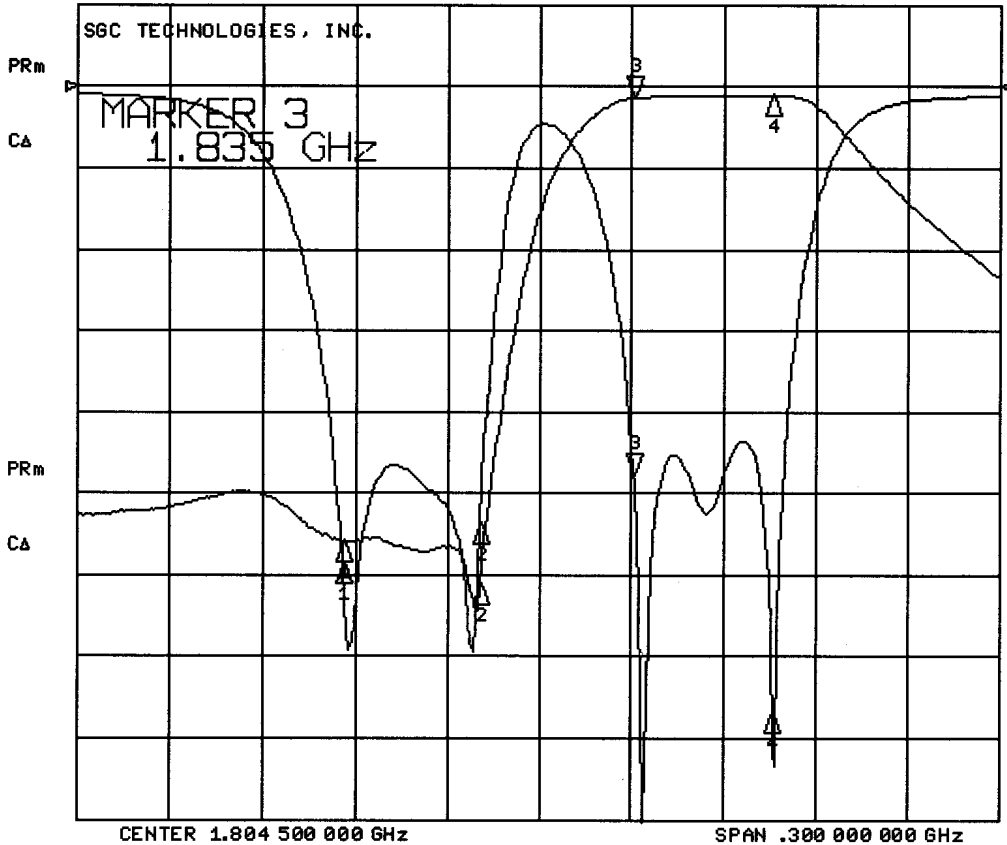
CH1 Markers

1i-30.318 dB
 1.74000 GHz
 3i-22.638 dB
 1.83500 GHz
 4i-44.896 dB
 1.88000 GHz

CH2 Markers

1i--8.7800 dB
 1.74000 GHz
 3i-60.629 dB
 1.83500 GHz
 4i-62.084 dB
 1.88000 GHz

CH1 S22 LOG 5 dB/REF 0 dB 3i-23.898 dB 1.835 000 000 GHz
CH2 S21 LOG 10 dB/REF 0 dB 3i-1.3150 dB



CH1 Markers

1i-29.243 dB
 1.74000 GHz
 2i-26.884 dB
 1.78500 GHz
 4i-38.412 dB
 1.88000 GHz

CH2 Markers

1i-55.885 dB
 1.74000 GHz
 2i-61.329 dB
 1.78500 GHz
 4i-1.0720 dB
 1.88000 GHz