

SGC Technologies, Inc.

PRODUCT SPECIFICATION FOR INFORMATION

PRODUCT NAME: SDPX-8R8-TYPE

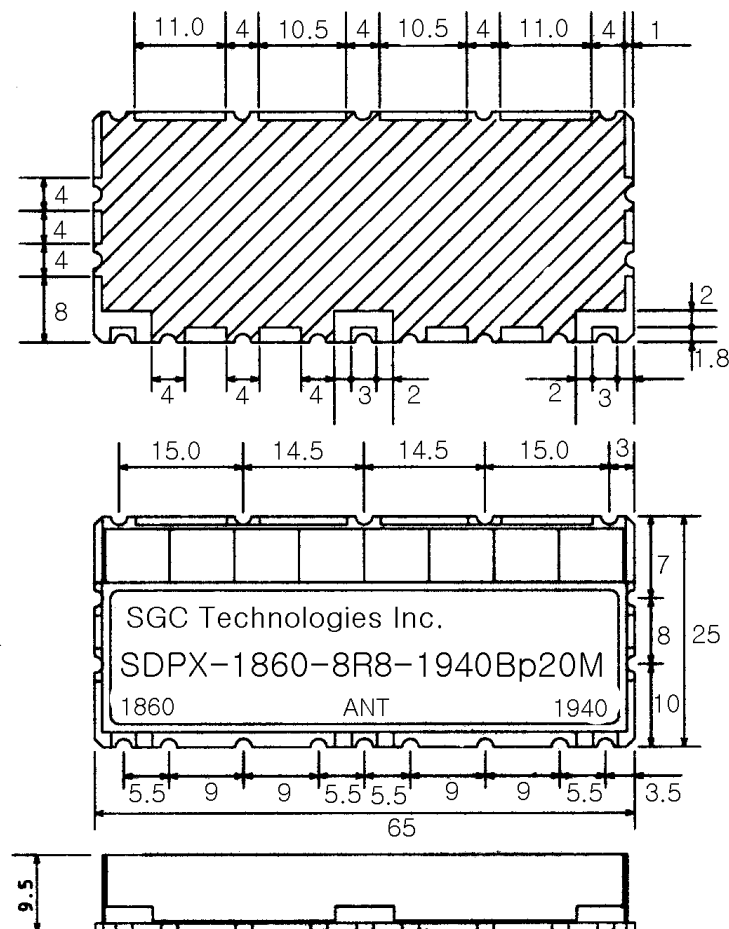
PART NO: SDPX-1860-8R8-1940BP20M

Center frequency	1860 MHz	1940 MHz
Pole	4	4
Bandwidth(BW)	Fo ±10 MHz	Fo ±10 MHz
Insertion Loss	2.0 dB MAX	2.0 dB MAX
VSWR in BW	1.4 MAX	1.4 MAX
Ripple in BW	1.0 dB MAX	1.0 dB MAX
Attenuation	55dB MIN at 1930MHz-1940MHz	55dB MIN at 1850MHz-1870MHz
In/Out Impedance	50 ohm	50 ohm

NOTE:

EQUIPMENT used :HP 8753E

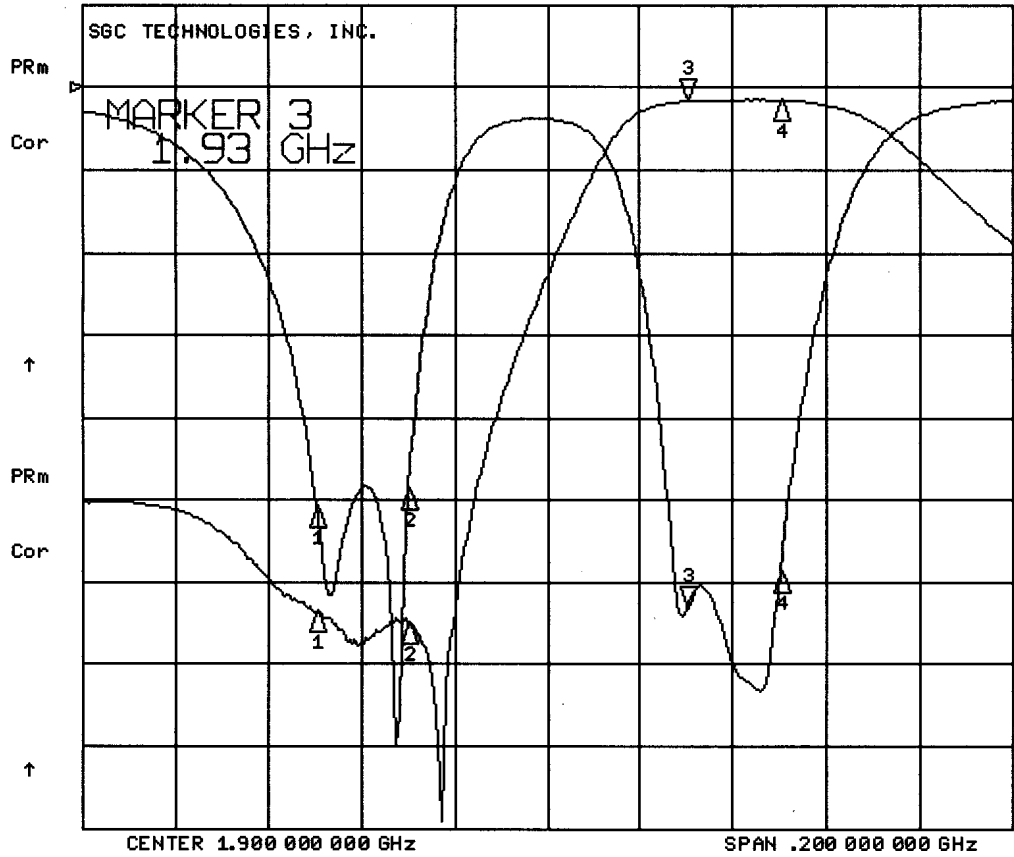
DIMENSION:



Unit : mm

SDPX-1860-8R8-1940BP20M

CH1 S22 LOG 5 dB/REF 0 dB 3:-31.557 dB 1.930 000 000 GHz
CH2 S21 LOG 10 dB/REF 0 dB 3:-1.6630 dB



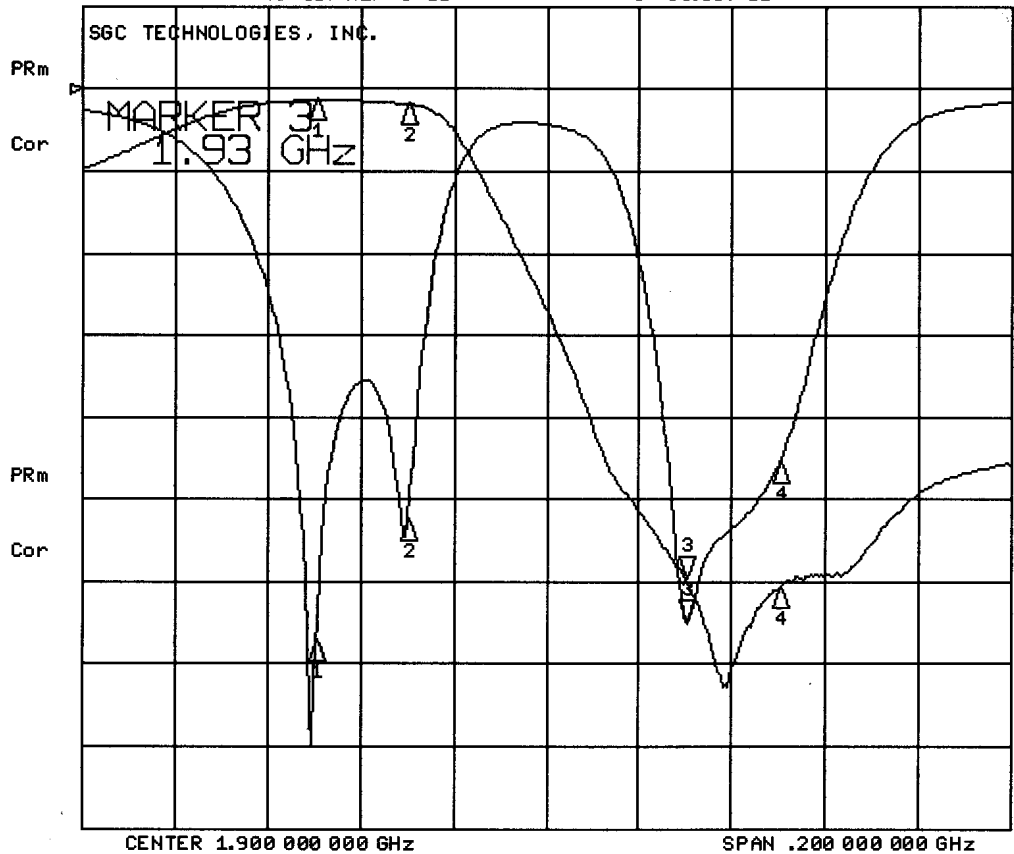
CH1 Markers

- 1:-25.448 dB
1.85030 GHz
- 2:-24.399 dB
1.87000 GHz
- 4:-29.418 dB
1.95000 GHz

CH2 Markers

- 1:-63.655 dB
1.85030 GHz
- 2:-65.128 dB
1.87000 GHz
- 4:-1.5150 dB
1.95000 GHz

CH1 S22 LOG 5 dB/REF 0 dB 3:-32.471 dB 1.930 000 000 GHz
CH2 S21 LOG 10 dB/REF 0 dB 3:-59.507 dB



CH1 Markers

- 1:-33.616 dB
1.85030 GHz
- 2:-26.297 dB
1.87000 GHz
- 4:-22.766 dB
1.95000 GHz

CH2 Markers

- 1:-1.3590 dB
1.85030 GHz
- 2:-1.8620 dB
1.87000 GHz
- 4:-60.851 dB
1.95000 GHz