

SGC Technologies, Inc.

PRODUCT SPECIFICATION FOR INFORMATION

PRODUCT NAME: SDPX-8R8- TYPE

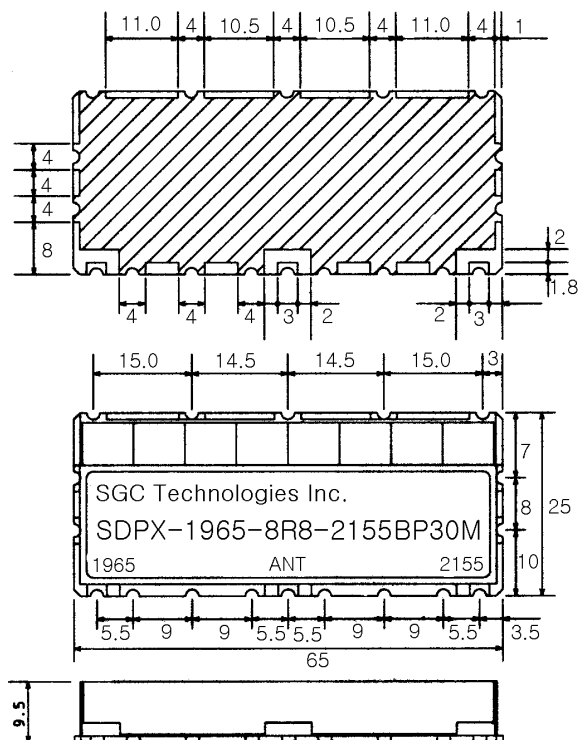
PART NO: SDPX-1965-8R8-2155BP30M

Center frequency	1965 MHz	2155 MHz
Pole	4	4
Bandwidth(BW)	Fo ±15 MHz	Fo ±15 MHz
Insertion Loss	2.0 dB max	2.2 dB max
VSWR in BW	1.4 max	1.4 max
Ripple in BW	0.5 dB max	0.5 dB max
Attenuation	55dBc min at 1710MHz-1785MHz 50dBc min at 1805MHz-1880MHz 23dBc min at 2040MHz	50dBc min at 2010MHz-2025MHz 45dBc min at 2040MHz 30dBc min at 2300 MHz
Isolation	42dBc min at 870MHz-880 MHz	45dBc min at 825MHz-835 MHz
In/Out Impedance	50 ohm	50 ohm

NOTE:

EQUIPMENT used :HP 8753E

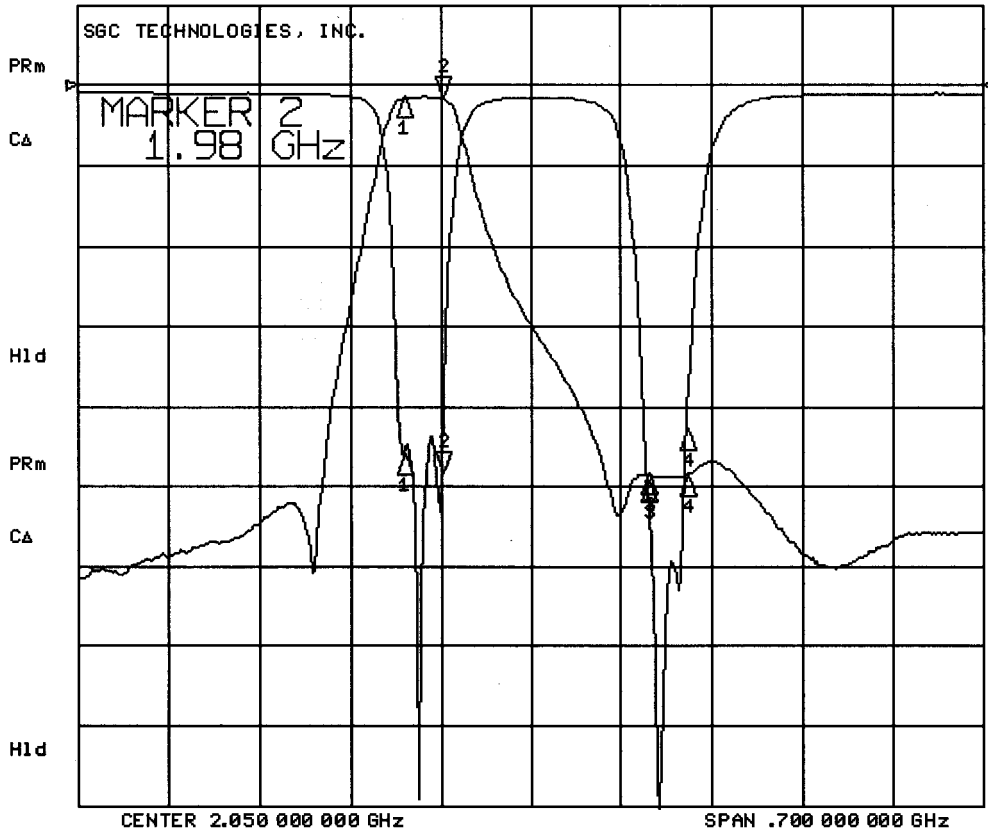
DIMENSION:



Unit : mm

SDPX-1965-8R8-2155BP30M

CH1 S11 LOG 5 dB/REF 0 dB 2:-24.145 dB 1.980 000 000 GHz
CH2 S21 LOG 10 dB/REF 0 dB 2:-1.6560 dB



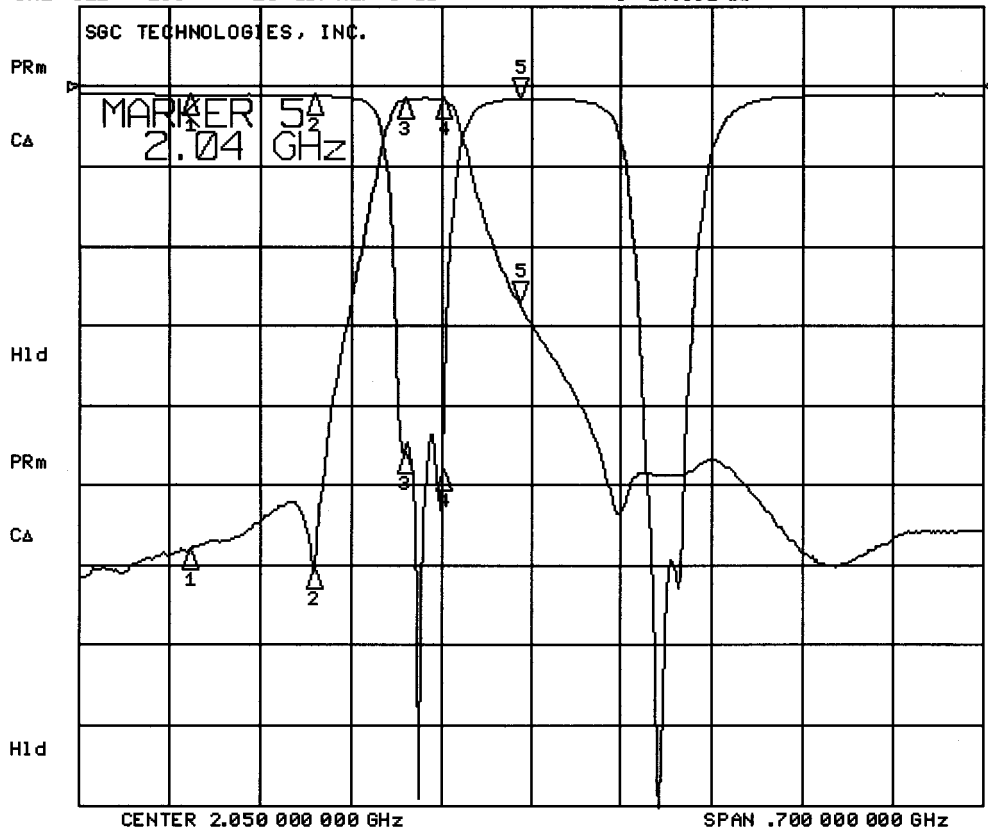
CH1 Markers

- 1:-23.064 dB
1.95000 GHz
- 3:-24.736 dB
2.14000 GHz
- 4:-21.530 dB
2.17000 GHz

CH2 Markers

- 1:-1.6880 dB
1.95000 GHz
- 3:-48.550 dB
2.14000 GHz
- 4:-48.616 dB
2.17000 GHz

CH1 S11 LOG 5 dB/REF 0 dB 5:-.81500 dB 2.040 000 000 GHz
CH2 S21 LOG 10 dB/REF 0 dB 5:-27.061 dB



CH1 Markers

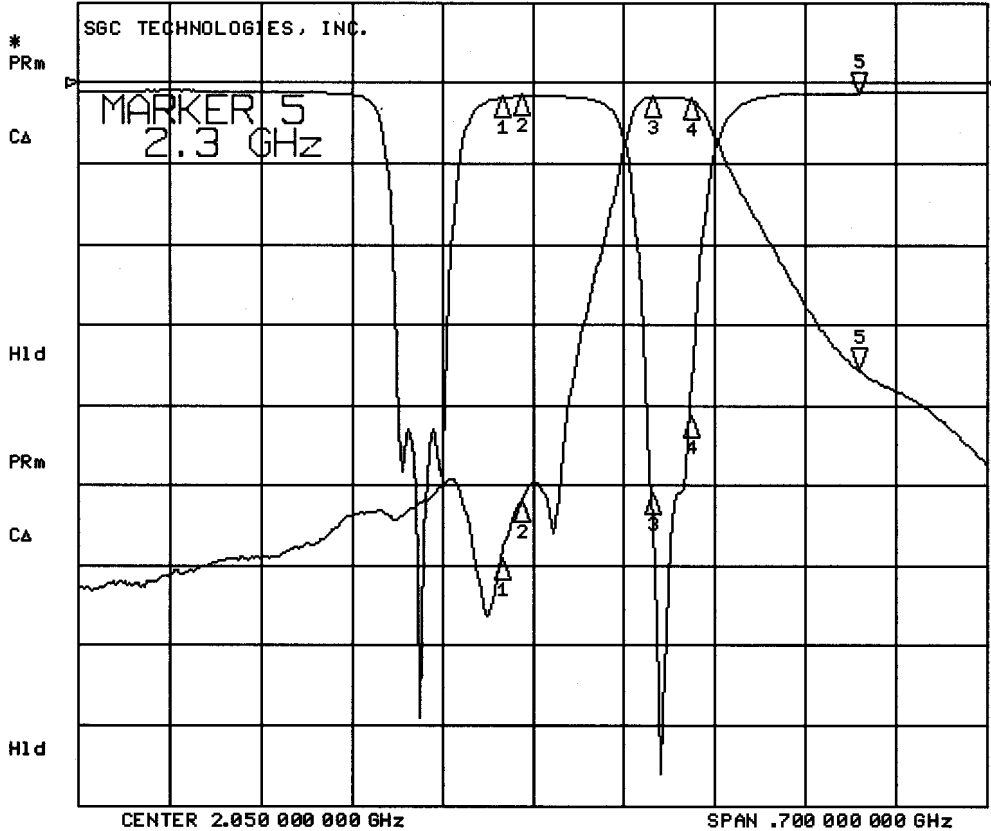
- 1:-.51800 dB
1.78500 GHz
- 2:-.53300 dB
1.88000 GHz
- 3:-23.064 dB
1.95000 GHz
- 4:-24.145 dB
1.98000 GHz

CH2 Markers

- 1:-58.181 dB
1.78500 GHz
- 2:-60.435 dB
1.88000 GHz
- 3:-1.6880 dB
1.95000 GHz
- 4:-1.6560 dB
1.98000 GHz

SDPX-1965-8R8-2155BP30M

CH1 S22 LOG 5 dB/REF 0 dB 5i:-.60000 dB 2.300 000 000 GHz
CH2 S21 LOG 10 dB/REF 0 dB 5i:-35.567 dB



CH1 S22 LOG 5 dB/REF 0 dB 3i:-25.544 dB 2.140 000 000 GHz
CH2 S21 LOG 10 dB/REF 0 dB 3i:-1.7960 dB

