

# SGC Technologies, Inc.

## PRODUCT SPECIFICATION FOR INFORMATION

**PRODUCT NAME: SDPX-8R8 TYPE**

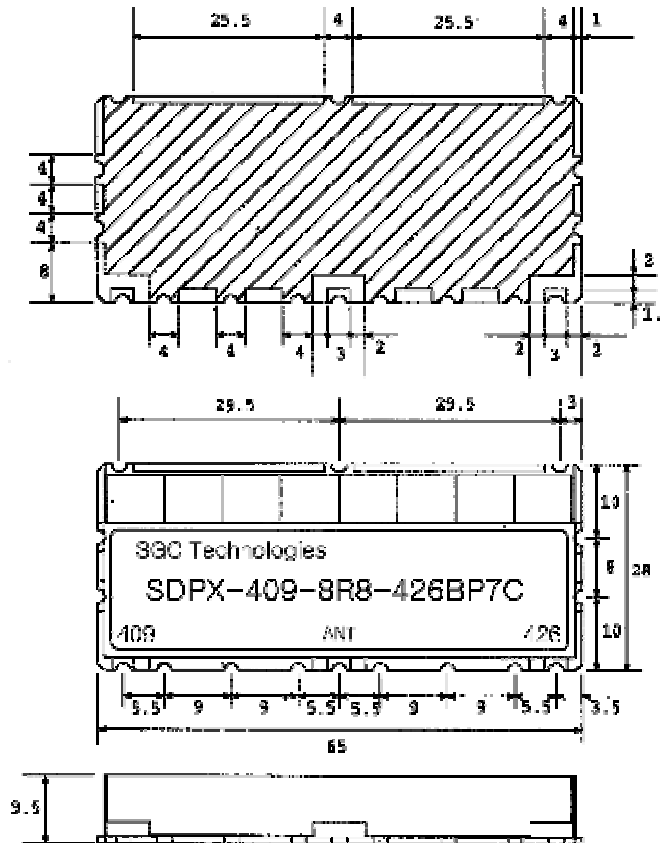
**PART NO: SDPX-409-8R8-426BP7C**

Center frequency	409.5 MHz	426.5 MHz
Pole	4	4
Bandwidth(BW)	Fo ±3.5 MHz	Fo ±3.5 MHz
Insertion Loss	3.0 dB MAX	3.0 dB MAX
VSWR in BW	1.7 MAX	1.7 MAX
Ripple in BW	1.0 dB MAX	1.0 dB MAX
Attenuation	40dB MIN at 423MHz-430 MHz	50dB MIN at 406MHz-413 MHz
In/Out Impedance	50 ohm	50 ohm

**NOTE:**

EQUIPMENT used :HP 8753E

**DIMENSION:**



UNIT : mm  
TOLERANCE UNLESS SPECIFIED : ± 0.3

### SDPX-409-8R8-426BP7C

