

SGC Technologies, Inc.

PRODUCT SPECIFICATION FOR INFORMATION

PRODUCT NAME: SDPX-8R8- TYPE

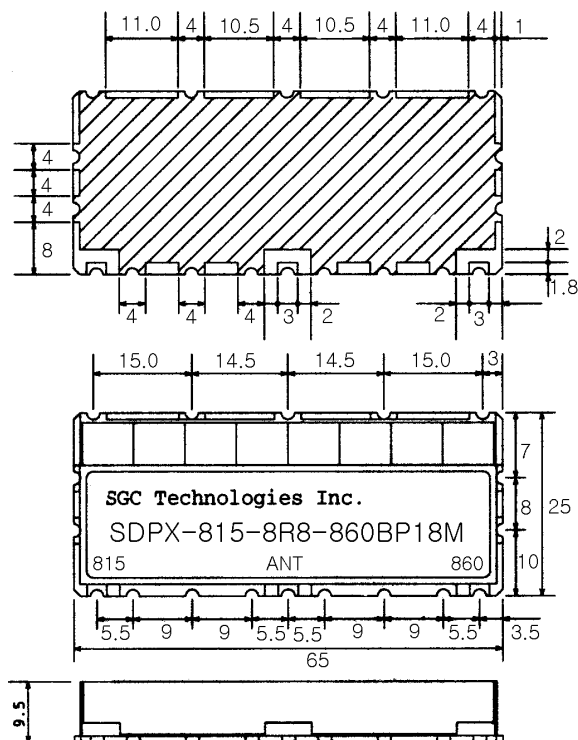
PART NO: SDPX-815-8R8-860BP18M

Center frequency	815 MHz	860 MHz
Pole	4	4
Bandwidth(BW)	Fo ±9 MHz	Fo ±9 MHz
Insertion Loss	2.0 dB max	2.0 dB max
VSWR in BW	1.4 max	1.4 max
Ripple in BW	1.0 dB max	1.0 dB max
Attenuation	55dBc min at 550MHz 15dBc min at 770 MHz 20dBc min at 837 MHz	18dBc min at 837 MHz 32dBc min at 925MHz-1000MHz 50dBc min at 1700 MHz
Isolation	60dB min at 870MHz-880 MHz	60dB min at 825MHz-835 MHz
In/Out Impedance	50 ohm	50 ohm

NOTE:

EQUIPMENT used :HP 8753E

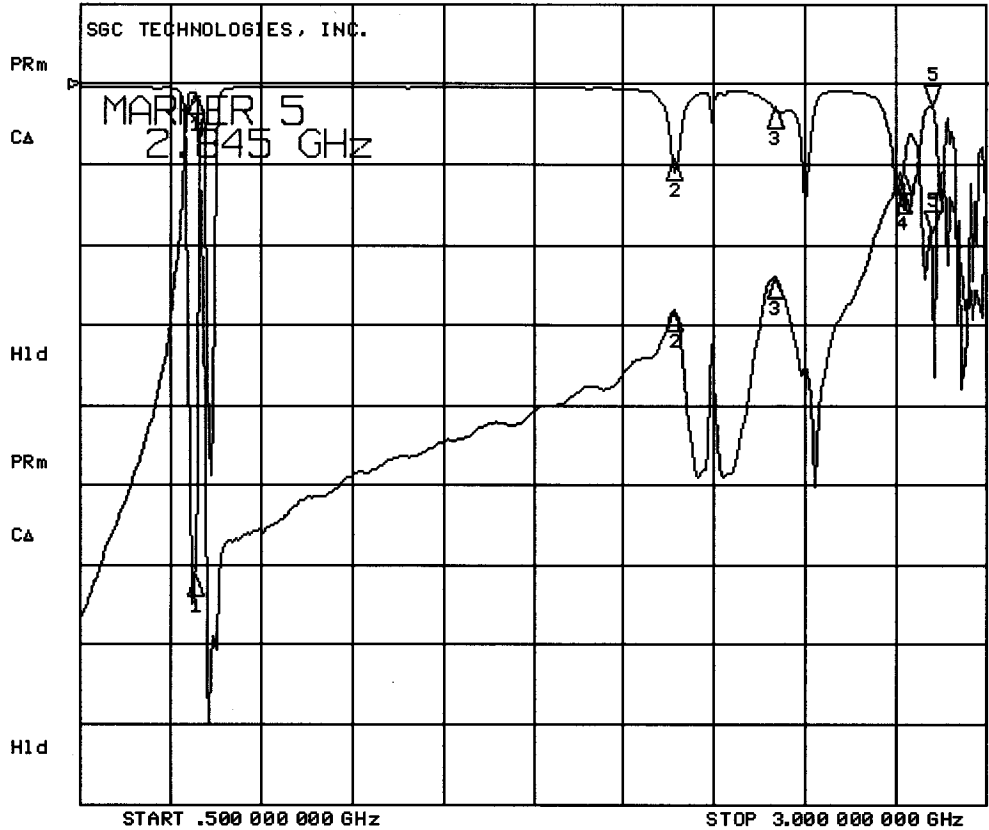
DIMENSION:



Unit : mm

SDPX-815-8R8-860BP18M

CH1 S11 LOG 5 dB/REF 0 dB 5:-9.2630 dB 2.845 000 000 GHz
CH2 S21 LOG 10 dB/REF 0 dB 5:-2.7170 dB



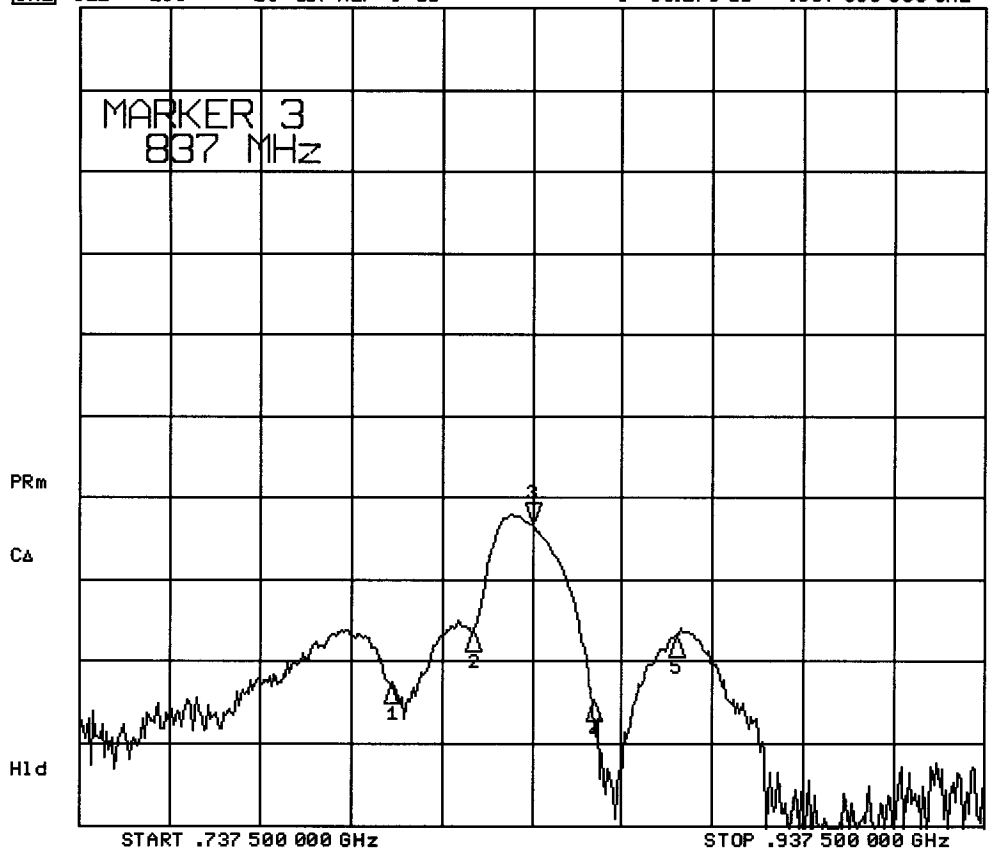
CH1 Markers

- 1:-30.691 dB
815.000 MHz
- 2:-4.8120 dB
2.13700 GHz
- 3:-1.4330 dB
2.41100 GHz
- 4:-6.8310 dB
2.76300 GHz

CH2 Markers

- 1:-1.2690 dB
815.000 MHz
- 2:-28.273 dB
2.13700 GHz
- 3:-24.077 dB
2.41100 GHz
- 4:-11.198 dB
2.76300 GHz

CH2 S21 LOG 10 dB/REF 0 dB 3:-53.270 dB .837 000 000 GHz



CH2 Markers

- 1:-72.632 dB
806.000 MHz
- 2:-66.397 dB
824.000 MHz
- 3:-74.885 dB
851.000 MHz
- 4:-67.036 dB
869.000 MHz