

# SGC Technologies, Inc.

## PRODUCT SPECIFICATION FOR INFORMATION

**PRODUCT NAME: SDPX-8R8- TYPE**

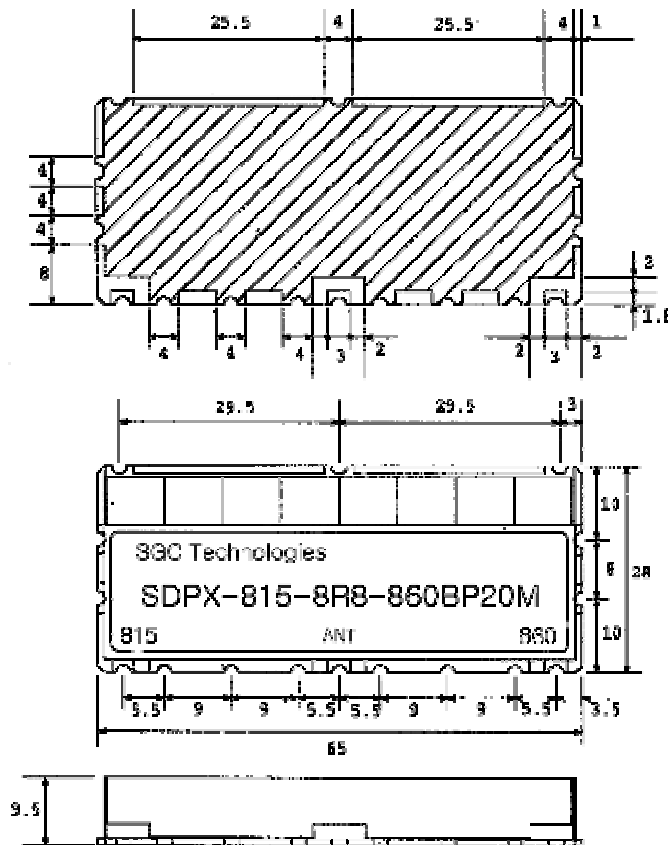
**PART NO: SDPX-815-8R8-860BP20M**

Center frequency	815 MHz	860 MHz
Pole	4	4
Bandwidth(BW)	Fo ±10 MHz	Fo ±10 MHz
Insertion Loss	2.0 dB MAX	2.0 dB MAX
VSWR in BW	1.4 MAX	1.4 MAX
Ripple in BW	1.0 dB MAX	1.0 dB MAX
Attenuation	55dB MIN at 850MHz-870MHz	55dB MIN at 805MHz-825MHz
In/Out Impedance	50 ohm	50 ohm

**NOTE:**

EQUIPMENT used :HP 8753E

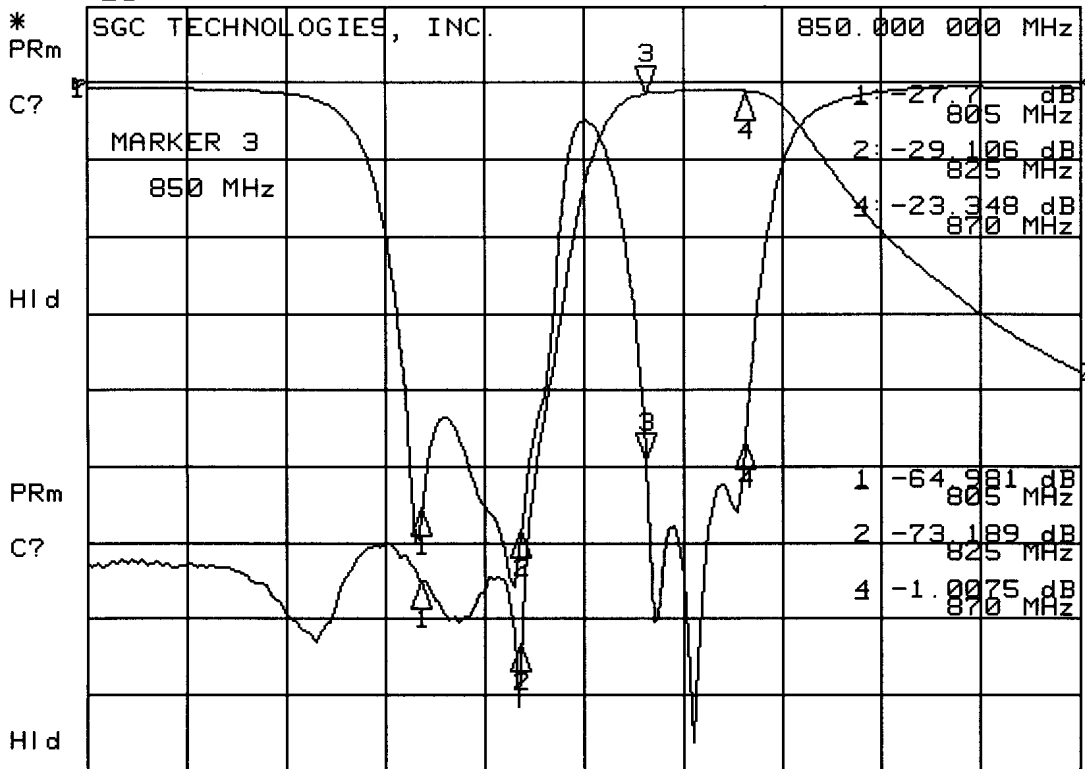
**DIMENSION:**



UNIT : mm  
TOLERANCE UNLESS SPECIFIED : ± 0.3

### SDPX-815-8R8-860BP20M

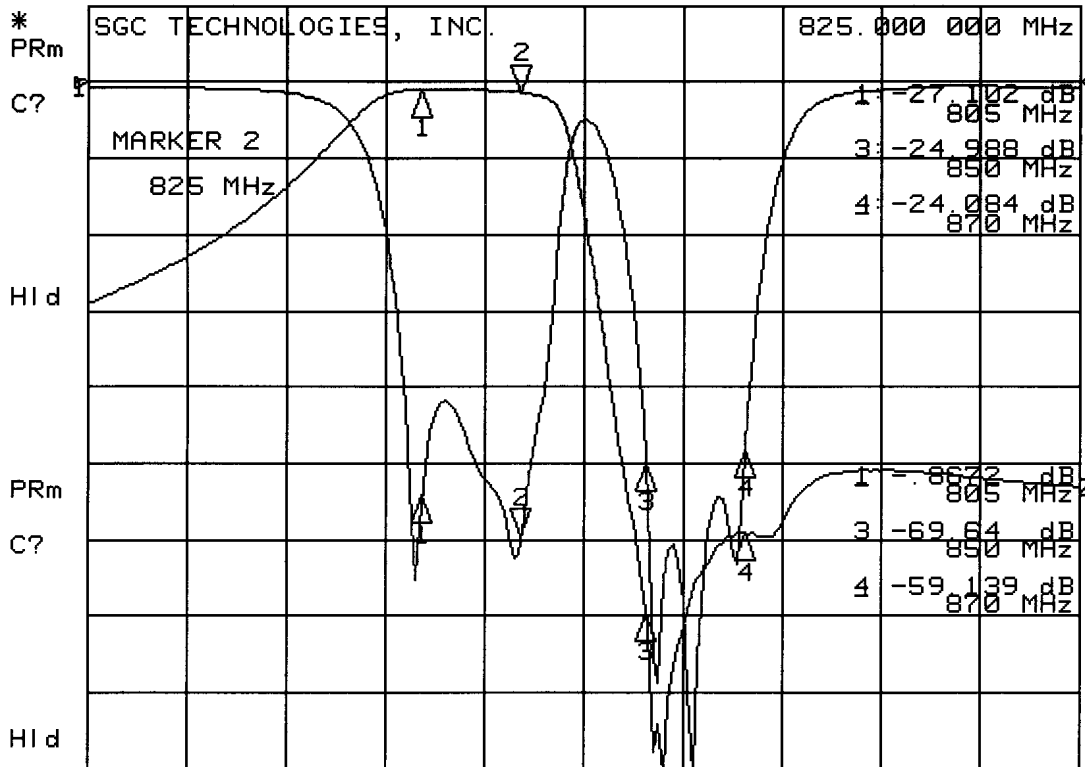
CH1 S<sub>22</sub> log MAG 5 dB/ REF 0 dB 3: -24.604 dB  
 CH2 S<sub>21</sub> log MAG 10 dB/ REF 0 dB 3: -1.3274 dB



CENTER 837.500 000 MHz

SPAN 200.000 000 MHz

CH1 S<sub>11</sub> log MAG 5 dB/ REF 0 dB 2: -29.74 dB  
 CH2 S<sub>21</sub> log MAG 10 dB/ REF 0 dB 2: -1.3453 dB



CENTER 837.500 000 MHz

SPAN 200.000 000 MHz