

# SGC Technologies, Inc.

## PRODUCT SPECIFICATION FOR INFORMATION

**PRODUCT NAME: SDPX-8R8- TYPE**

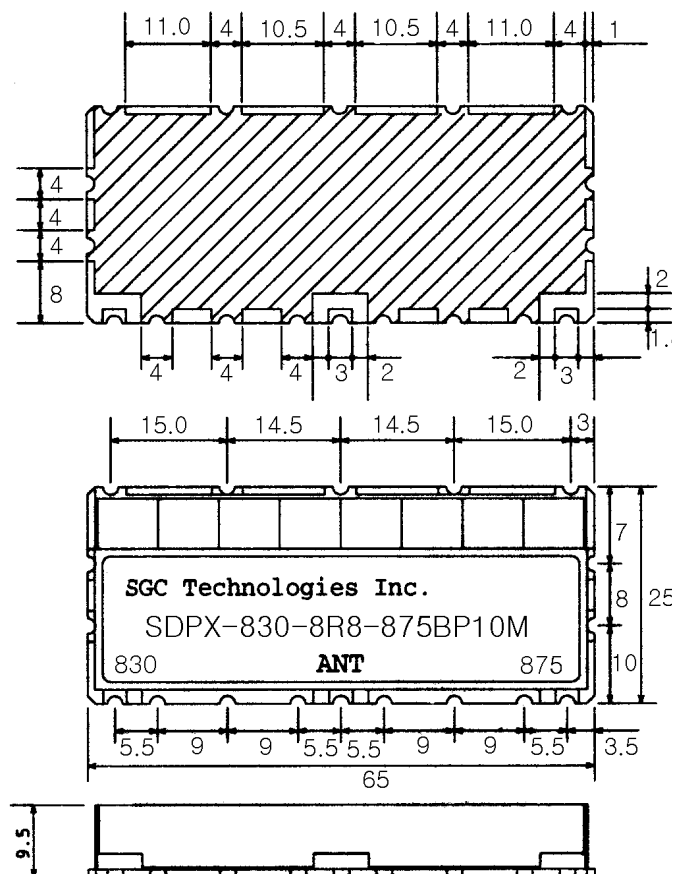
**PART NO: SDPX-830-8R8-875BP10M**

Center frequency	830 MHz	875 MHz
Pole	4	4
Bandwidth(BW)	Fo $\pm$ 5 MHz	Fo $\pm$ 5 MHz
Insertion Loss	2.0 dB max	2.0 dB max
VSWR in BW	1.4 max	1.4 max
Ripple in BW	0.5 dB max	0.5 dB max
Attenuation	60dB min at 870MHz-880 MHz	60dB min at 825MHz-835 MHz
In/Out Impedance	50 ohm	50 ohm

**NOTE:**

EQUIPMENT used :HP 8753E

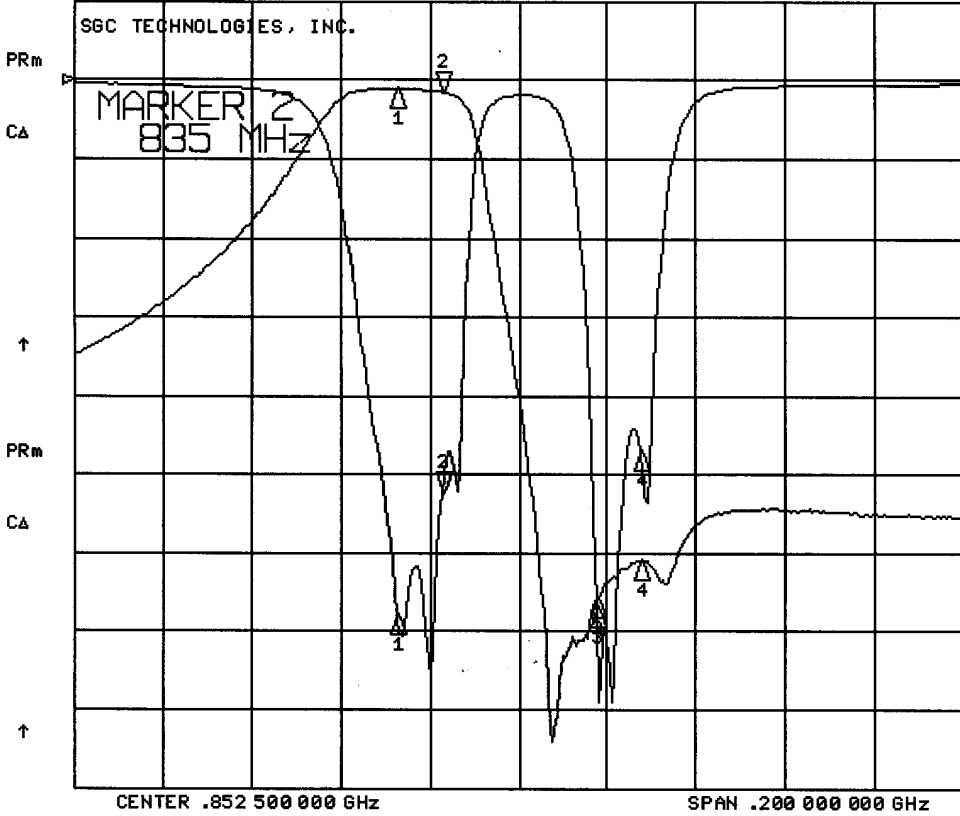
**DIMENSION:**



Unit : mm

# SDPX-830-8R8-875BP10M

**CH1** S11 LOG 5 dB/REF 0 dB 2\*-26.209 dB .835 000 000 GHz  
**CH2** S21 LOG 10 dB/REF 0 dB 2\*-1.4940 dB



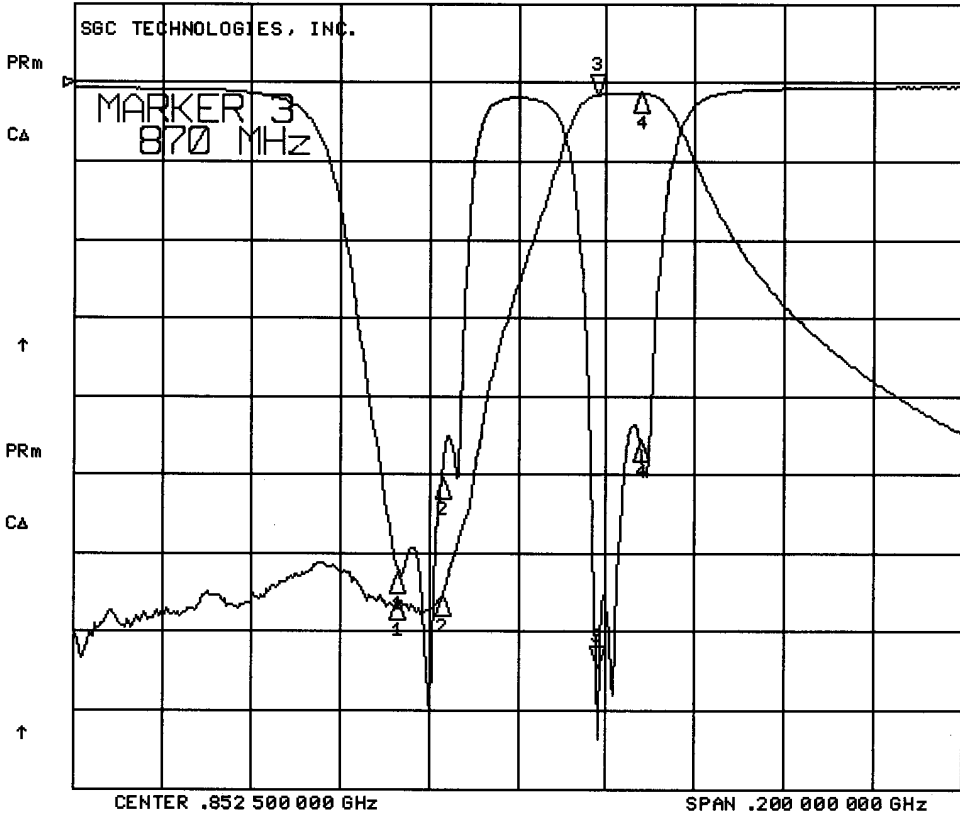
## CH1 Markers

1:-33.952 dB  
 825.000 MHz  
 3:-33.442 dB  
 870.000 MHz  
 4:-23.594 dB  
 880.000 MHz

## CH2 Markers

1:-1.0510 dB  
 825.000 MHz  
 3:-65.892 dB  
 870.000 MHz  
 4:-51.002 dB  
 880.000 MHz

**CH1** S22 LOG 5 dB/REF 0 dB 3\*-37.195 dB .870 000 000 GHz  
**CH2** S21 LOG 10 dB/REF 0 dB 3\*-1.5800 dB



## CH1 Markers

1:-31.284 dB  
 825.000 MHz  
 2:-25.333 dB  
 835.000 MHz  
 4:-22.863 dB  
 880.000 MHz

## CH2 Markers

1:-66.195 dB  
 825.000 MHz  
 2:-65.490 dB  
 835.000 MHz  
 4:-1.3240 dB  
 880.000 MHz