

# SGC Technologies, Inc.

## PRODUCT SPECIFICATION FOR INFORMATION

**PRODUCT NAME: SDPX-836-8R8-881BP25M TYPE**

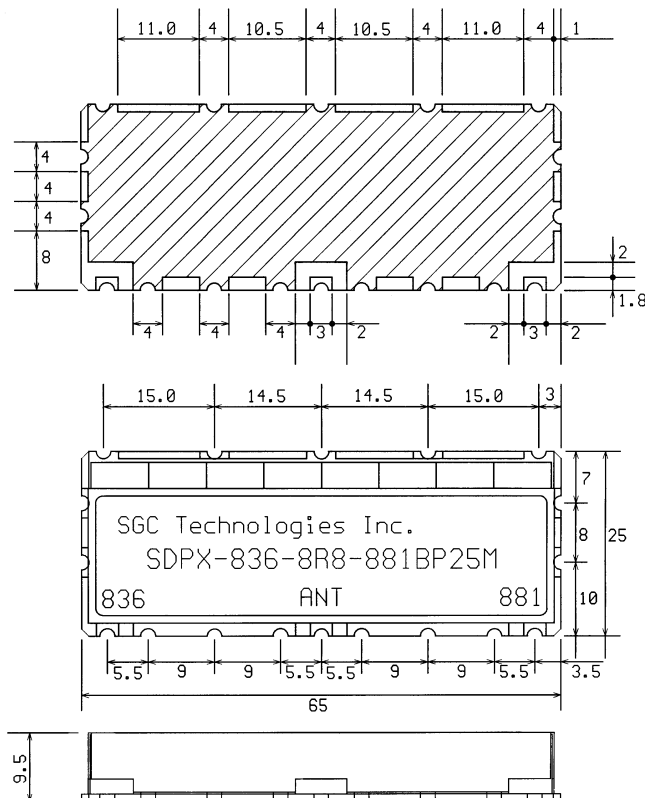
**PART NO: SDPX-836-8R8-881BP25M**

Center frequency	836.5 MHz	881.5 MHz
Pole	4	4
Bandwidth(BW)	Fo ±12.5 MHz	Fo ±12.5 MHz
Insertion Loss	2.0 dB max	2.0 dB max
VSWR in BW	1.4 max	1.4 max
Ripple in BW	1.0 dB max	1.0 dB max
Attenuation	50dB min at 869MHz-894 MHz	50dB min at 824MHz-849 MHz
	15dB min at 859MHz	
In/Out Impedance	50 ohm	50 ohm

**NOTE:**

EQUIPMENT used :HP 8753E

**DIMENSION:**



Unit : mm  
Tolerance : +/-0.3

# SDPX-836-8R8-881BP25M

