

SGC Technologies, Inc.

Wireless and Internet Communication

PRODUCT SPECIFICATION FOR INFORMATION

PRODUCT NAME: SBMP4D TYPE

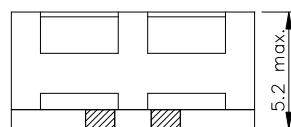
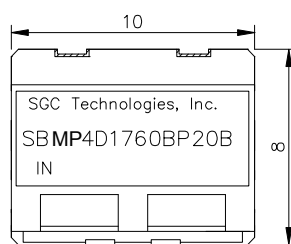
PART NO: SBMP4D1760BP20B

Parameter	Specification
Center frequency(Fo)	1760 MHz
Pole	4
Bandwidth	20 MHz
Insertion Loss in BW	2.7 dB max.
Ripple in BW	0.5 dB max.
Return Loss in BW	20dB min.
Attenuation	50 dB min. @ 1690 MHz
	40 dB min. @ 1830 MHz
	46 dB min. @ 1910 MHz
	50 dB min. @ 2040 MHz
In/Out Impedance	50 ohm

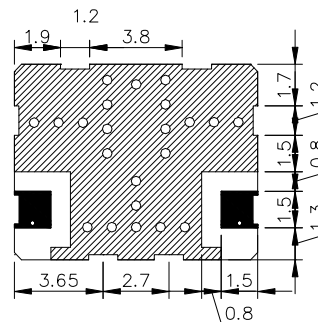
NOTE: EQUIPMENT used : 8753ES

DIMENSION:

TOP VIEW



BOTTOM VIEW



TOLERANCE UNLESS OTHERWISE SPECIFIED : ± 0.3
DIMENSIONS : mm

■ : I/O PORT
▨ : GROUND