

SGC Technologies, Inc.

Wireless and Internet Communication

PRODUCT SPECIFICATION FOR INFORMATION

PRODUCT NAME: SBMP4D TYPE

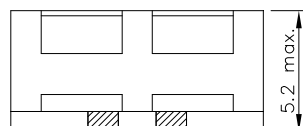
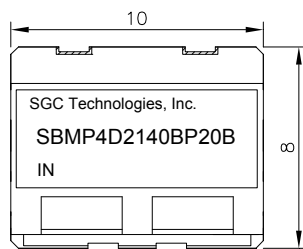
PART NO: SBMP4D2140BP20B

Parameter	Specification
Center frequency(Fo)	2140 MHz
Pole	4
Bandwidth	20 MHz
Insertion Loss in BW	2.0 dB max.
Ripple in BW	0.5 dB max.
Return Loss in BW	18 dB min.
Attenuation	55 dB min. @ 1950 MHz
In/Out Impedance	50 ohm

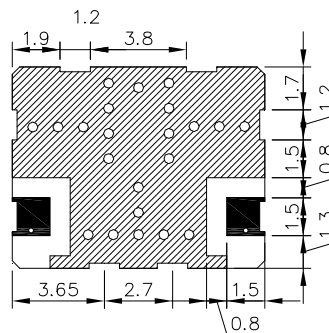
NOTE: EQUIPMENT used : 8753ES

DIMENSION:

TOP VIEW



BOTTOM VIEW



TOLERANCE UNLESS
OTHERWISE SPECIFIED : ± 0.3
DIMENSIONS : mm

■ : I/O PORT
▨ : GROUND