

# SGC Technologies, Inc.

Wireless and Internet Communication

## PRODUCT SPECIFICATION FOR INFORMATION

PRODUCT NAME: SBMP4D TYPE

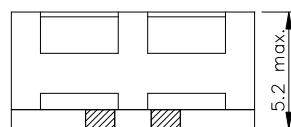
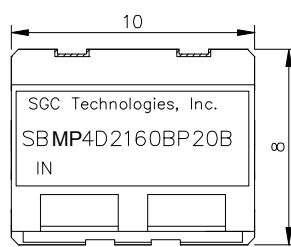
PART NO: SBMP4D2160BP20B

Parameter	Specification
Center frequency(Fo)	2160 MHz
Pole	4
Bandwidth	20 MHz
Insertion Loss in BW	2.7 dB max.
Ripple in BW	0.5 dB max.
Return Loss in BW	20dB min.
Attenuation	50 dB min. @ 1910 MHz
	50 dB min. @ 2040 MHz
	50 dB min. @ 2090 MHz
	45 dB min. @ 2230 MHz
In/Out Impedance	50 ohm

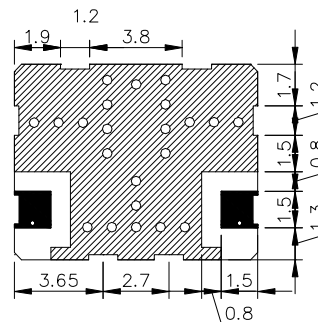
NOTE: EQUIPMENT used : 8753ES

DIMENSION:

### TOP VIEW



### BOTTOM VIEW



TOLERANCE UNLESS OTHERWISE SPECIFIED :  $\pm 0.3$   
DIMENSIONS : mm

■ : I/O PORT  
▨ : GROUND