

# SGC Technologies, Inc.

## PRODUCT SPECIFICATION FOR INFORMATION

CUSTOMER :

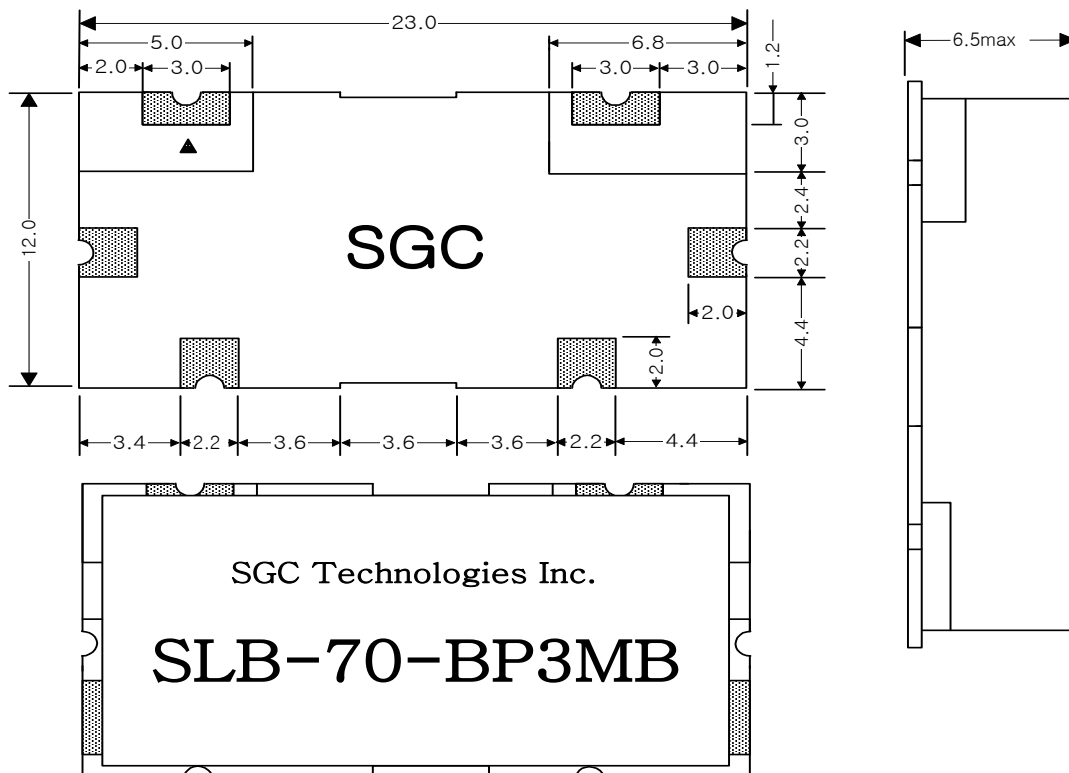
PRODUCT NAME : LC BPF TYPE

PART NO : SLB-70-BP3MB

ITEM	SPEC.
Cutoff frequency	70 MHz
Bandwidth	3 MHz
Insertion loss	3.2 dB max
Ripple	1.0 dB max
V.S.W.R.	1.4 : 1
Attenuation	40 dB @ 40 MHz 40 dB @ 100 MHz
In/Out Impedance	50 ohm

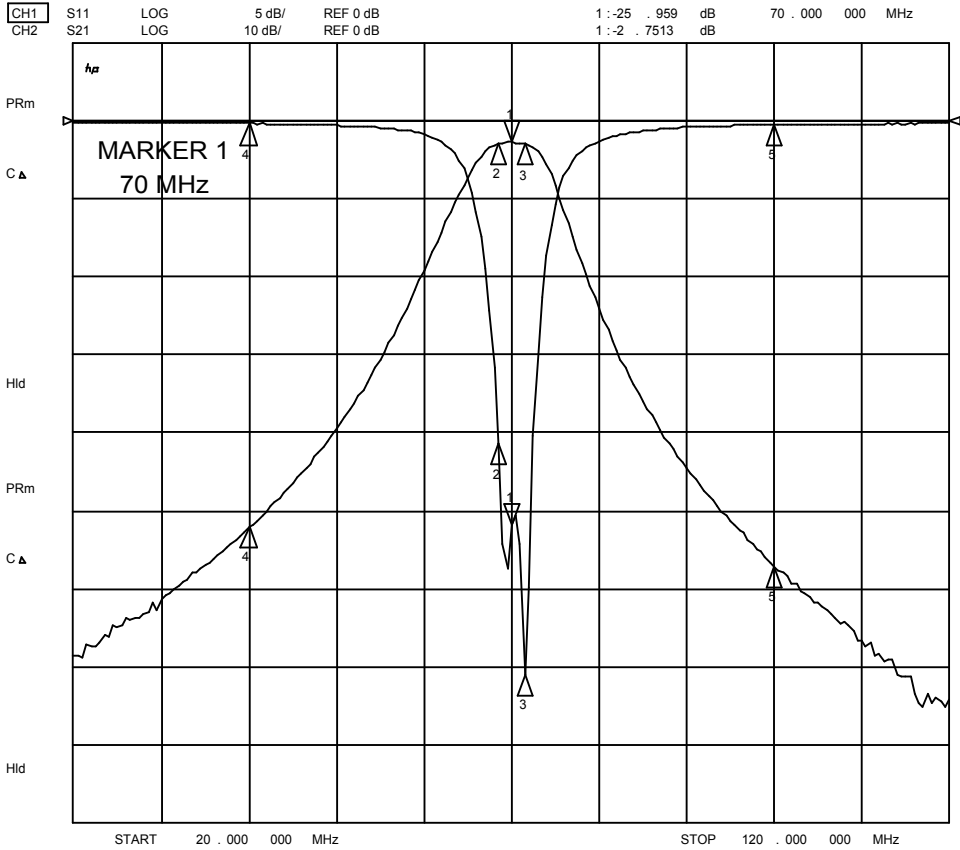
NOTE : EQUIPMENT used HP 8753E

### DIMENSION



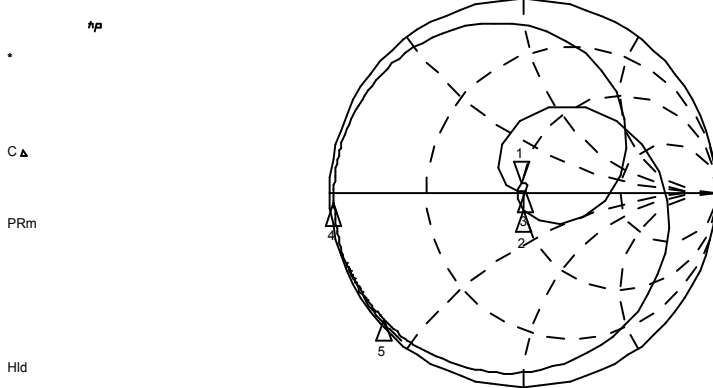
# SLB-70-BP3MB

22 May 2003 12:13:37



22 May 2003 12:13:47

CH1 S11 1 UFS 1: 48.902 Ω 4.8613 Ω 11.053 nH 70.000 000 MHz



CH1 Markers

Marker	Freq (MHz)	Value (Ω)
2	49.564	-9.2246
3	51.178	1.2207
4	482.67	-1.4213
5	0.7598	-19.371

