

# SGC Technologies, Inc.

## PRODUCT SPECIFICATION FOR INFORMATION

CUSTOMER :

PRODUCT NAME : LC BPF TYPE

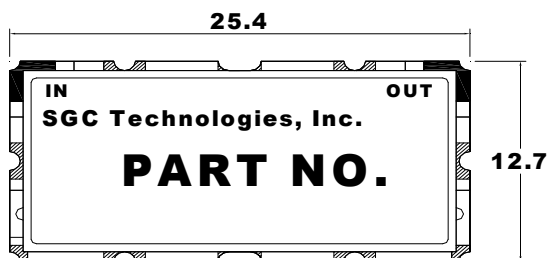
PART NO : SLB-70-BP2MD

| ITEM             | SPEC.                             |
|------------------|-----------------------------------|
| Cutoff frequency | 70 MHz                            |
| Bandwidth        | 2 MHz                             |
| Insertion loss   | 3.6 dB max                        |
| Ripple           | 1.0 dB max                        |
| V.S.W.R.         | 1.4 : 1                           |
| Attenuation      | 50 dB @ 40 MHz<br>50 dB @ 100 MHz |
| In/Out Impedance | 50 ohm                            |

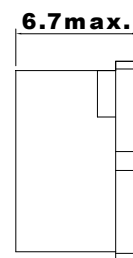
NOTE : EQUIPMENT used HP 8753E

DIMENSION

### TOP VIEW



### SIDE VIEW



### BOTTOM VIEW

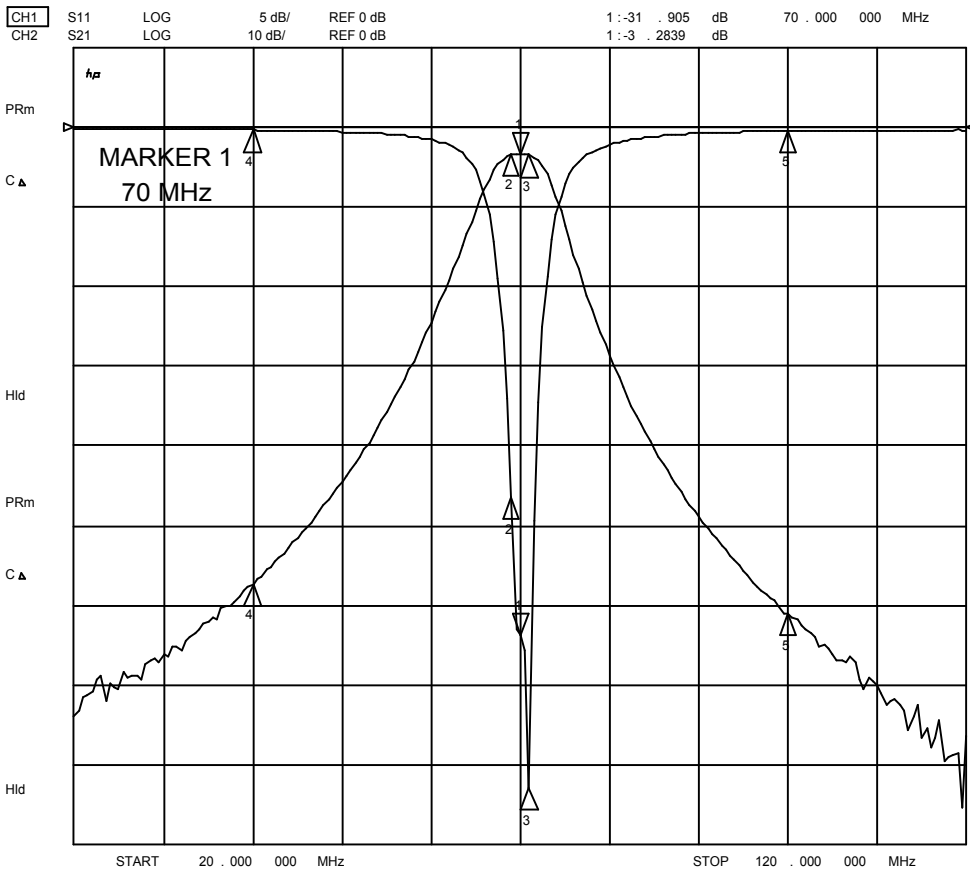


TOLERANCE UNLESS  
OTHERWISE SPECIFIED :  $\pm 0.3$   
DIMENSIONS : mm

▨ GROUND  
■ I/O PORT

# SLB-70-BP2MD

22 May 2003 12:12:40



CH1 Markers

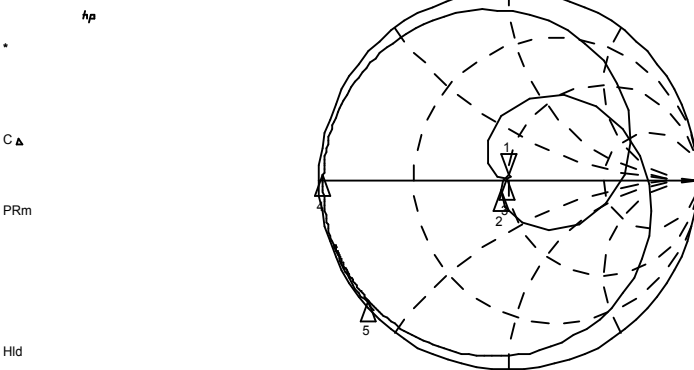
|   |         |    |         |     |
|---|---------|----|---------|-----|
| 2 | -23.237 | dB | 69.0000 | MHz |
| 3 | -41.542 | dB | 71.0000 | MHz |
| 4 | -17360  | dB | 40.0000 | MHz |
| 5 | -23040  | dB | 100.000 | MHz |

CH2 Markers

|   |         |    |         |     |
|---|---------|----|---------|-----|
| 2 | -3.3863 | dB | 69.0000 | MHz |
| 3 | -3.4818 | dB | 71.0000 | MHz |
| 4 | -57.323 | dB | 40.0000 | MHz |
| 5 | -61.129 | dB | 100.000 | MHz |

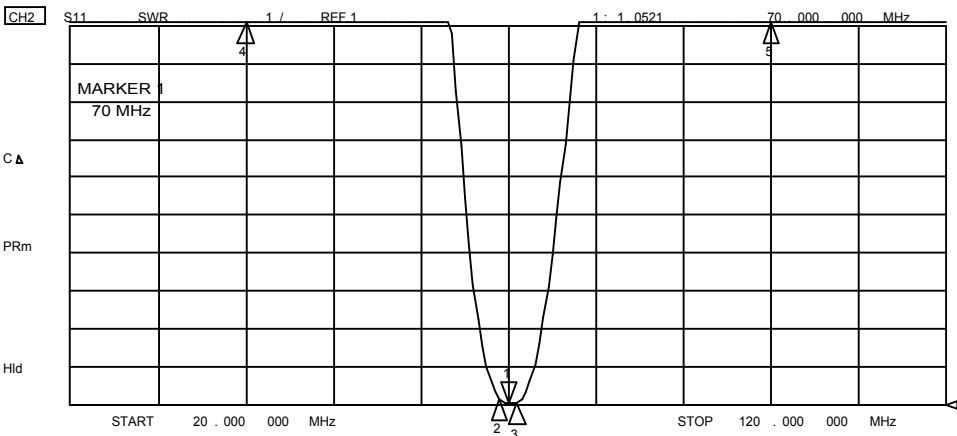
22 May 2003 12:12:55

CH1 S11 1 UFS 1: 49.994 Ω 2.5332 Ω 5.7596 nH 70.000 000 MHz



CH1 Markers

|   |        |    |         |    |         |     |
|---|--------|----|---------|----|---------|-----|
| 2 | 45.775 | Ω  | -5.0781 | Ω  | 69.0000 | MHz |
| 3 | 49.375 | Ω  | 0.5508  | Ω  | 71.0000 | MHz |
| 4 | 499.91 | mΩ | 599.30  | mΩ | 40.0000 | MHz |
| 5 | 0.7539 | Ω  | -18.501 | Ω  | 100.000 | MHz |



CH2 Markers

|   |        |  |         |     |
|---|--------|--|---------|-----|
| 2 | 1.1479 |  | 69.0000 | MHz |
| 3 | 1.0168 |  | 71.0000 | MHz |
| 4 | 100.07 |  | 40.0000 | MHz |
| 5 | 75.383 |  | 100.000 | MHz |