

SGC Technologies, Inc.

PRODUCT SPECIFICATION FOR INFORMATION

CUSTOMER :

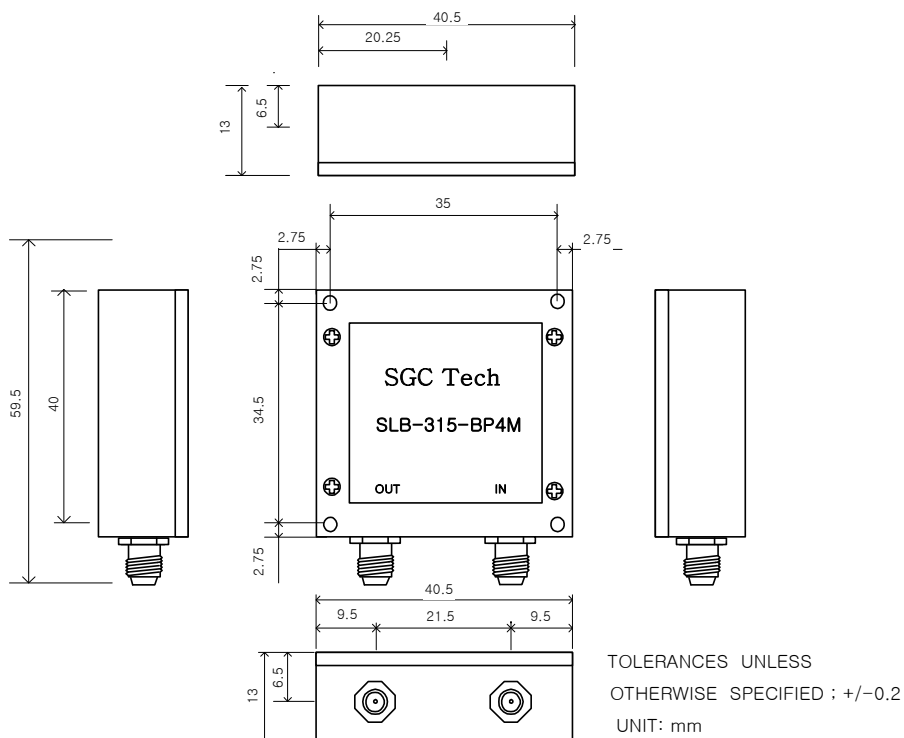
PRODUCT NAME : HOUSING BPF TYPE

PART NO : SLB-315-BP4M(H)

ITEM	SPEC.
Cutoff frequency	315 MHz
Bandwidth	4 MHz
Insertion loss	4 dB max
Ripple	1 dB max
V.S.W.R.	1.5 : 1
Attenuation	-
In/Out Impedance	50 ohm

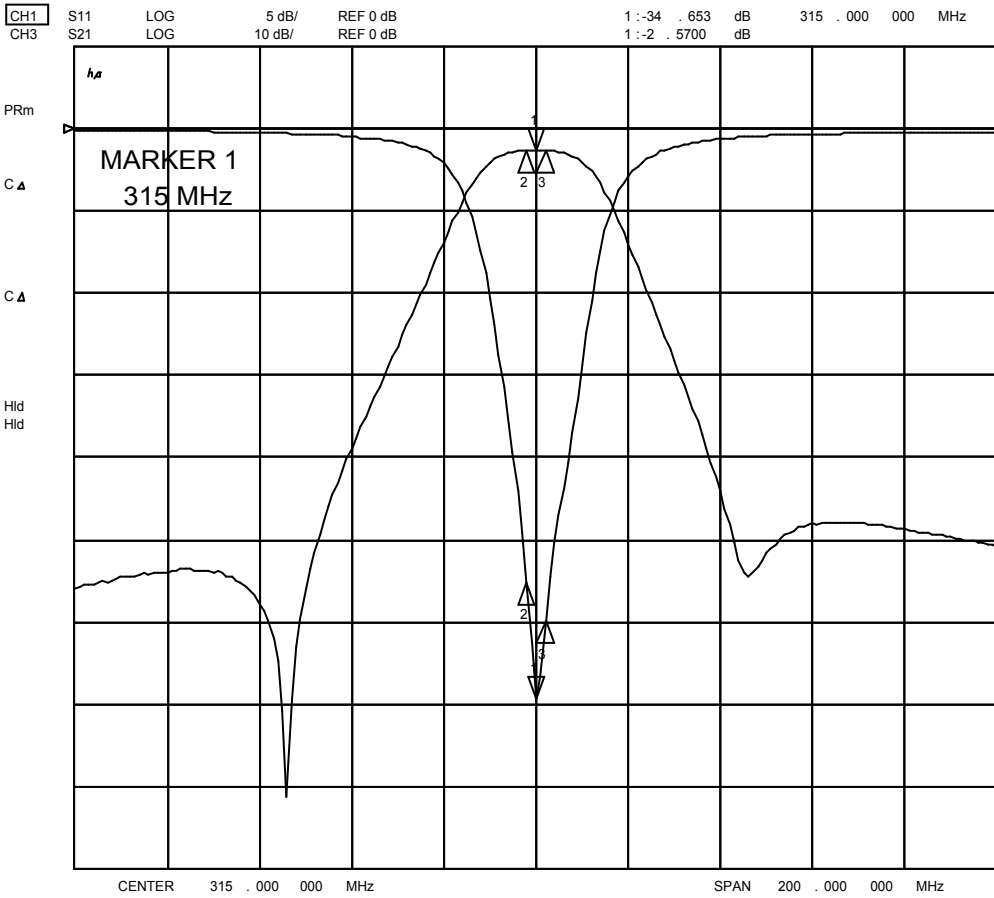
NOTE : EQUIPMENT used HP 8753E

DIMENSION



SLB-315-BP4M(H)

18 Dec 2003 20:59:17



CH1 Markers

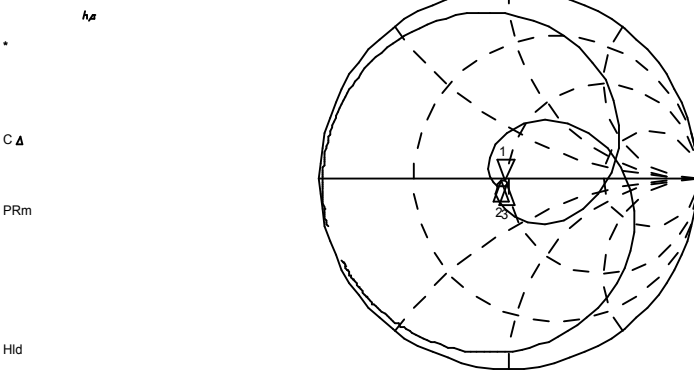
2	-27.549	dB
3	313.000	MHz
3	-29.951	dB
3	317.000	MHz

CH3 Markers

2	-2.5891	dB
3	313.000	MHz
3	-2.6222	dB
3	317.000	MHz

18 Dec 2003 20:59:34

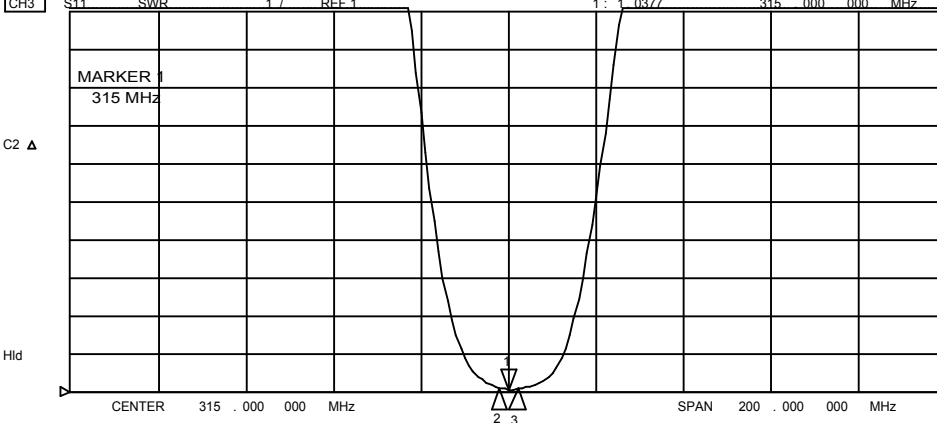
CH1 S11 1 UFS 1: 48.533 Ω -1.0859 Ω 465.27 pF 315.000 000 MHz



CH1 Markers

2	46.117	Ω
3	-1.0957	Ω
3	313.000	MHz
3	48.928	Ω
3	-2.9609	Ω
3	317.000	MHz

CH3 S11 SWR 1 / REF 1 1: 1.0377 315.000 000 MHz

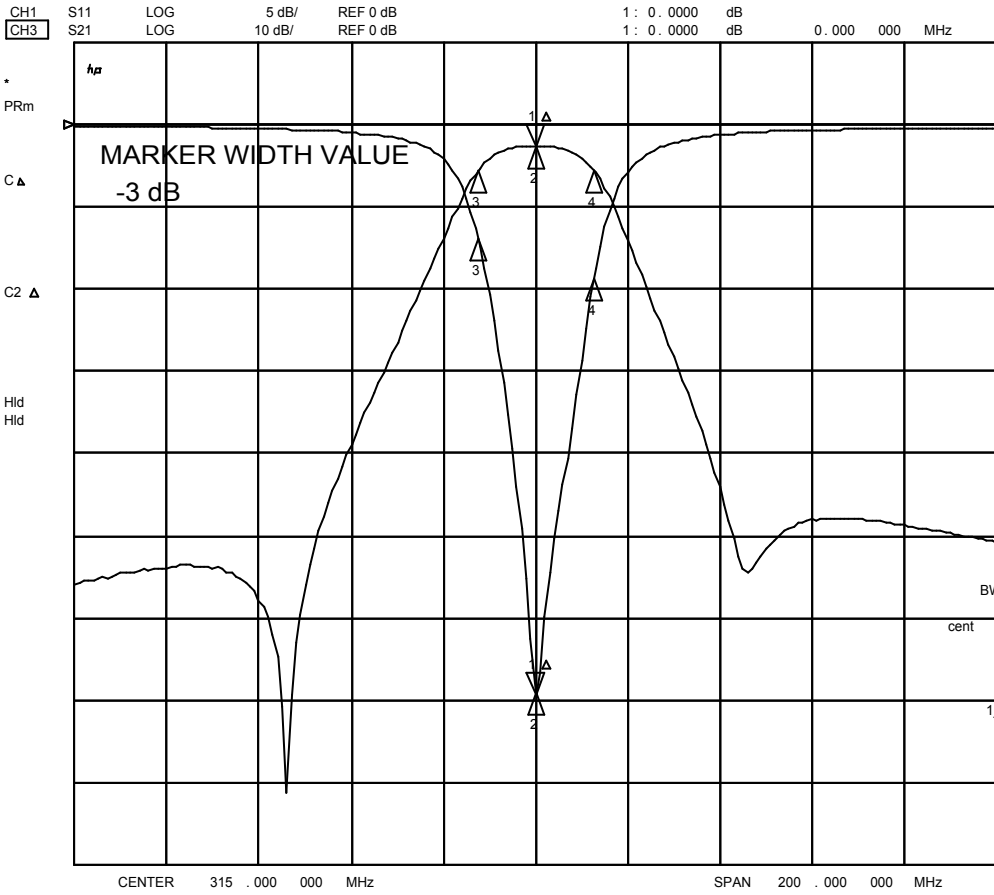


CH3 Markers

2	1.0875	
3	313.000	MHz
3	1.0657	
3	317.000	MHz

SLB-315-BP4M(H)

18 Dec 2003 21:00:26



18 Dec 2003 21:00:45

