

SGC Technologies, Inc.

PRODUCT SPECIFICATION FOR INFORMATION

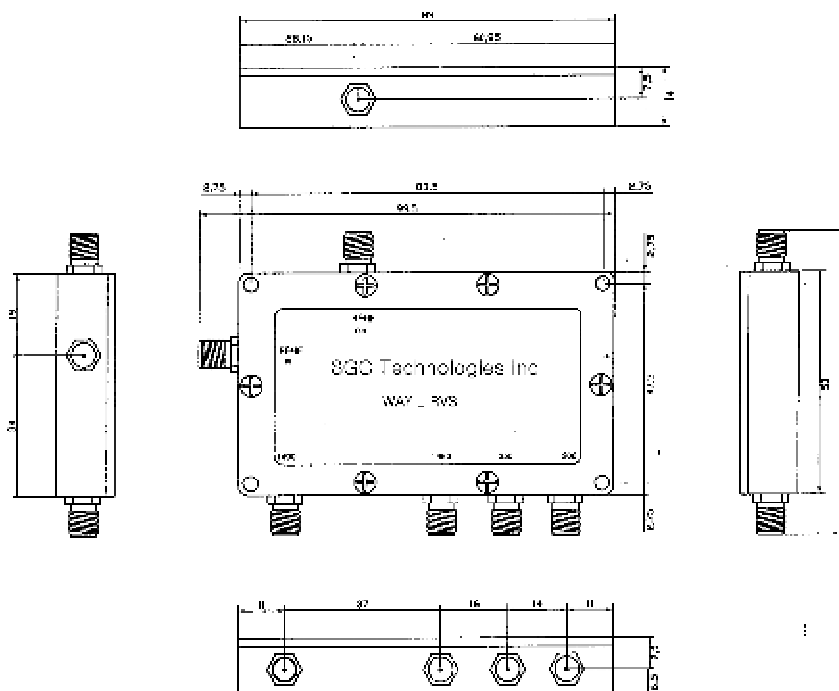
PRODUCT NAME: LC DUPLEXER

PART NO: SMPX-200BP-350BP-3R4-1490BP-1960BP40B

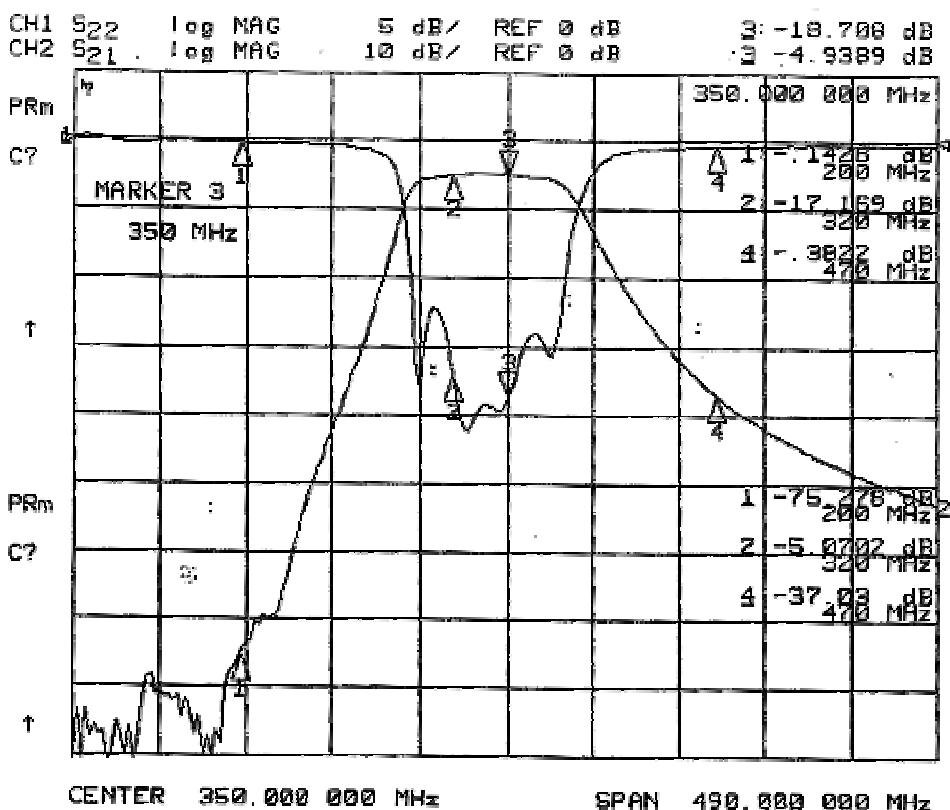
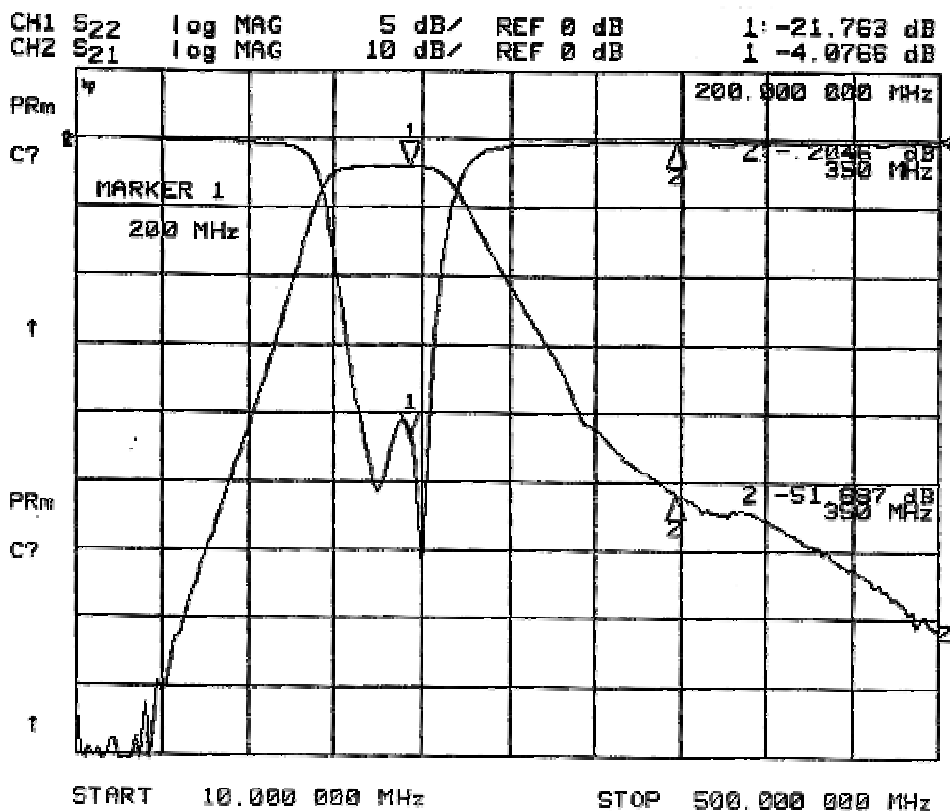
ITEM	PARAMENT							
중심 주파수	200MHz		350MHz		1490MHz		1960MHz	
밴드폭	CW		CW		Fo ±20MHz		Fo ±20MHz	
삽입 손실	3.7 - 4.7 dB max (상온)		5 - 6 dB max (상온)		4 -5 dB max (상온)		4 -5 dB max (상온)	
평탄도					0.5 dB max		0.5 dB max	
V.S.W.R	1.5 max		1.5 max		1.5 max		1.5 max	
Attenuation	350MHz	45dB min	200MHz	50dB min	1940MHz	40dB min	1510MHz	40dB min
입.출력 임피던스	50Ω							
Operating Temp	-40°C to +70°C							
Relative Humidity	0~95 %							
DIVIDER 밴드폭	1470 MHz - 1980 MHz							
DIVIDER 삽입손실	4.5 dB max							
DIVIDER V.S.W.R	1.5 max							

NOTE: EQUIPMENT used :HP 8753E

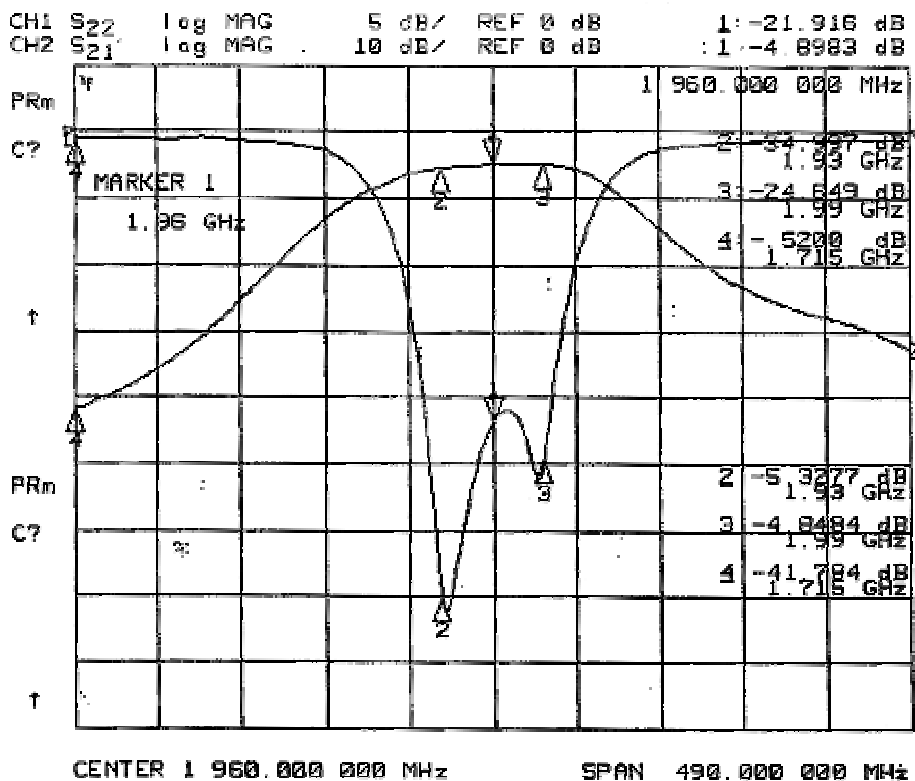
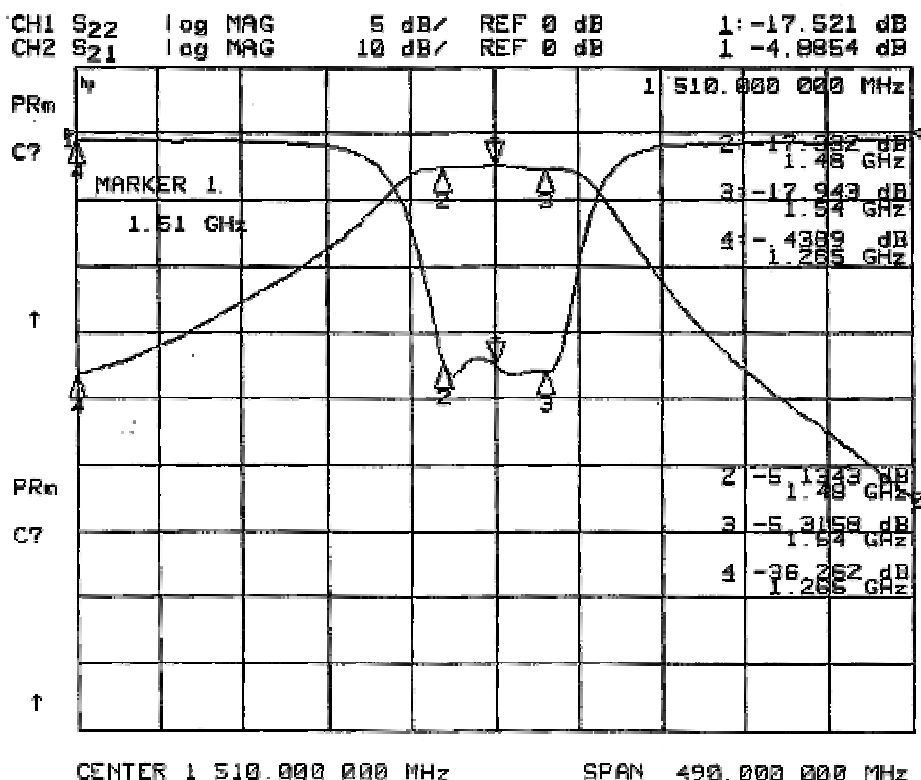
DIMENSION:



Graph

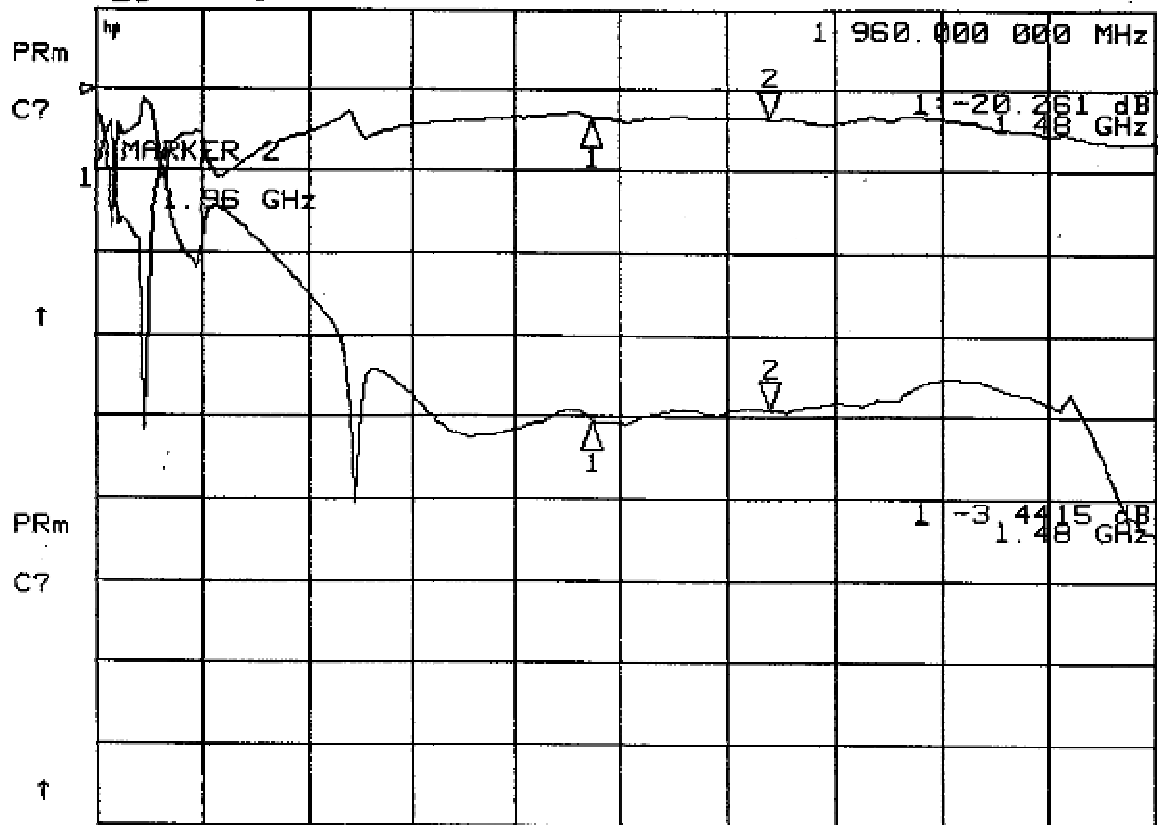


Graph



Graph

CH1 S22 log MAG 5 dB/ REF 0 dB 2: -19.543 dB
 CH2 S21 log MAG 10 dB/ REF 0 dB 2: -3.6525 dB



START 100.000 000 MHz

STOP 3 000.000 000 MHz