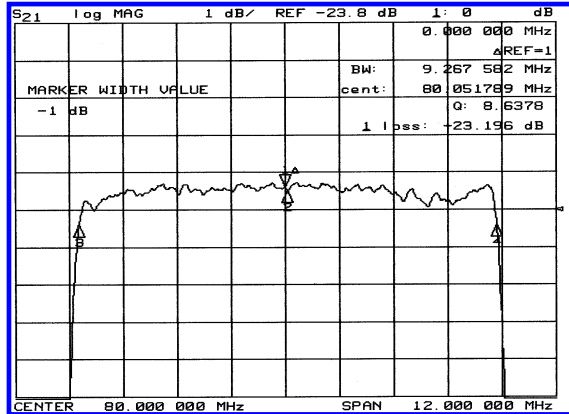
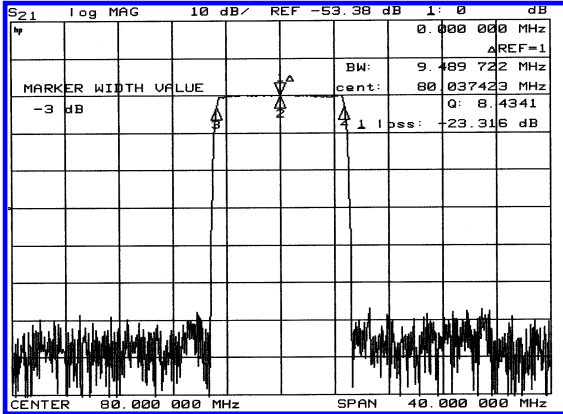


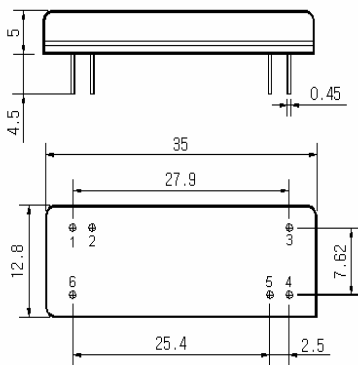
Typical Performance



Specification

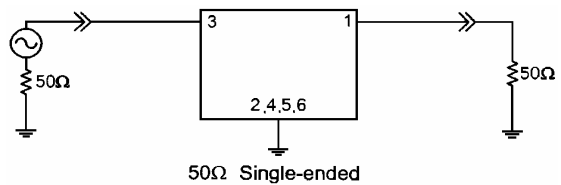
Parameter	Unit	Min.	Typ.	Max.
Center Frequency	Mhz	79.92	80.00	80.08
Insertion Loss	dB	-	23.50	25.00
1dB Bandwidth	Mhz	9.18	9.26	-
3dB Bandwidth	Mhz	9.40	9.48	-
40dB Bandwidth	Mhz	-	10.35	10.45
Passband Ripple	dB	-	0.75	1.00
Group Delay Variation	nsec	-	100	200
Absolute Delay	µsec	-	3.7	-
Ultimate Attenuation	dB	50	60	-
Substrate Material	-	128-LiNbO ₃		
Temperature Coefficient	ppm/°C	-72		

Package Dimension



1 : Output , 6 : Output Gnd
3 : Input , 4 : Input Gnd
2 , 5 : Case Gnd

Matching Configuration



No Matching required
Source / Load Impedance = 50Ω
Ambient Temperature = 25°C