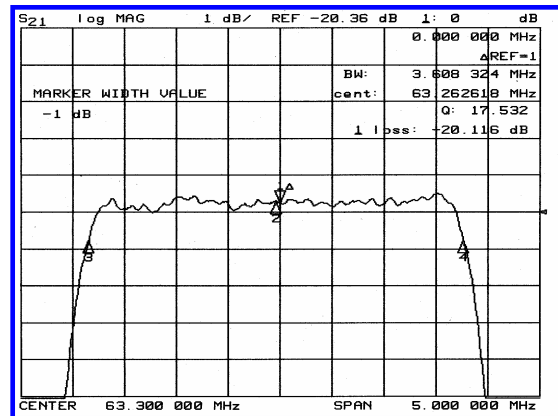
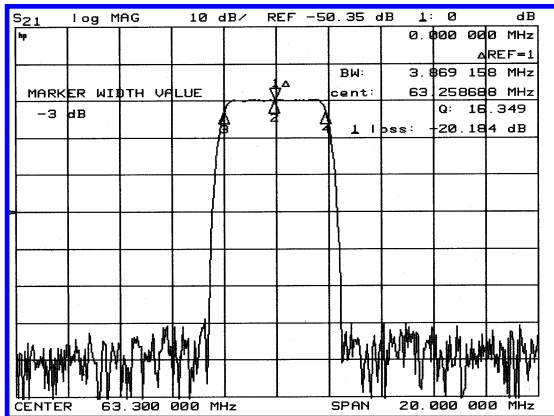


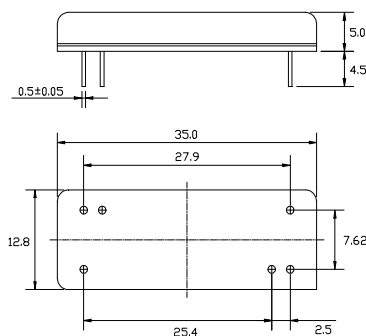
Typical Performance



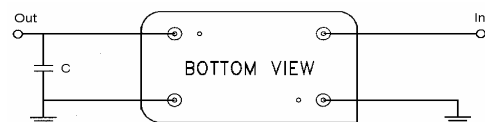
Specification

Parameter	Unit	Min.	Typ.	Max.
Center Frequency	Mhz	63.20	63.25	63.30
Insertion Loss	dB	-	20.00	22.00
1dB Bandwidth	Mhz	3.50	3.60	-
3dB Bandwidth	Mhz	3.80	3.85	-
40dB Bandwidth	Mhz	-	4.90	5.10
Passband Ripple	dB	-	0.55	1.00
Group Delay Variation	nsec	-	200	300
Absolute Delay	μsec	-	3.05	-
Ultimate Attenuation	dB	50	55	-
Substrate Material	-	YZ-LiNbO ₃		

Package Dimension



Matching Configuration



C = 10pF
 Source / Load Impedance = 50Ω
 Ambient Temperature = 25°C