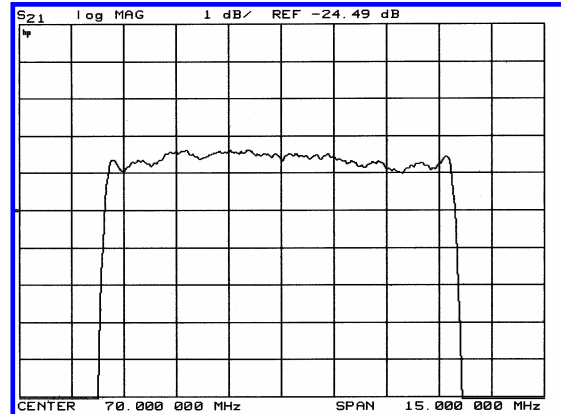
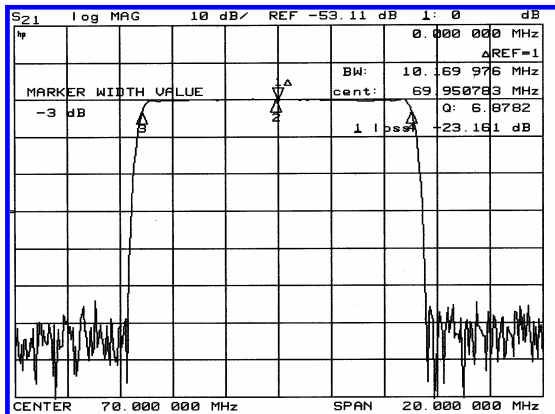


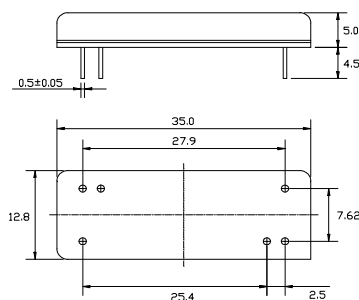
Typical Performance



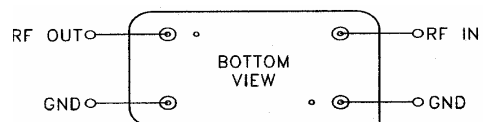
Specification

Parameter	Unit	Min.	Typ.	Max.
Center Frequency	Mhz	69.92	70.00	70.08
Insertion Loss	dB	-	23.0	25.0
3dB Bandwidth	Mhz	10.00	10.15	-
50dB Bandwidth	Mhz	-	11.15	11.30
Passband Ripple	dB	-	0.75	1.00
Group Delay Variation	nsec	-	80	130
Absolute Delay	usec	-	3.22	-
Ultimate Attenuation	dB	50	55	-
Substrate Material	-	128 LiNbO <sub>3</sub>		

Package Dimension



Matching Configuration



Bottom View  
Source / Load Impedance = 50Ω  
Ambient Temperature = 25°C