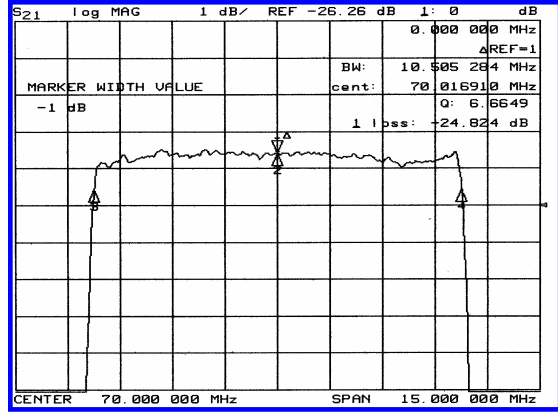
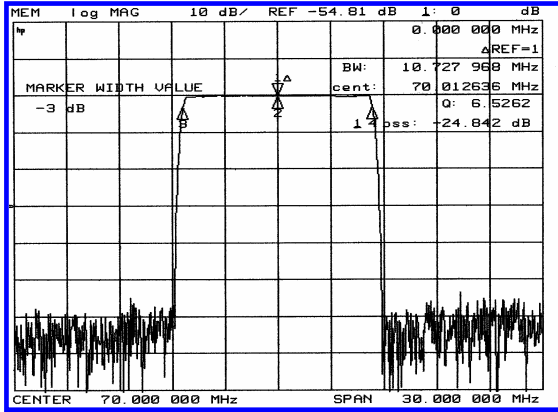


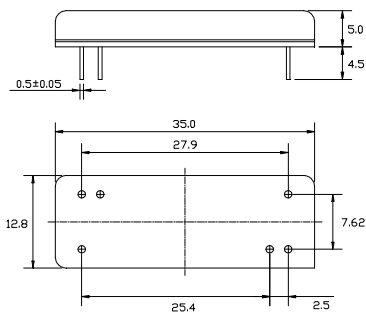
Typical Performance



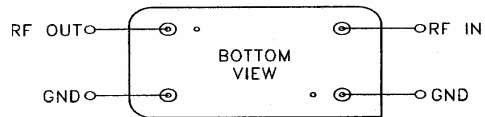
Specification

Parameter	Unit	Min.	Typ.	Max.
Center Frequency	Mhz	69.92	70.00	70.08
Insertion Loss	dB	-	24.50	26.00
1dB Bandwidth	Mhz	10.35	10.50	-
3dB Bandwidth	Mhz	10.50	10.73	-
50dB Bandwidth	Mhz	-	11.70	11.90
Passband Ripple	dB	-	0.55	1.00
Group Delay Variation	nsec	-	80	150
Absolute Delay	µsec	-	3.45	-
Ultimate Attenuation	dB	50	60	-
Substrate Material	-	128LiNbO ₃		

Package Dimension



Matching Configuration



Bottom View
Source / Load Impedance = 50Ω
Ambient Temperature = 25°C