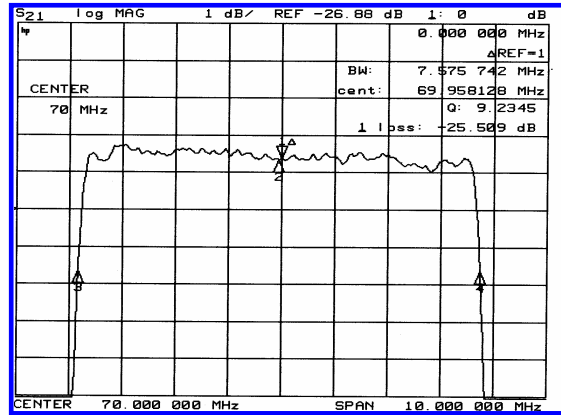
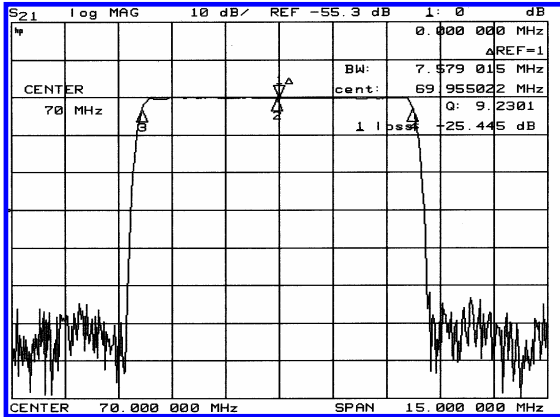


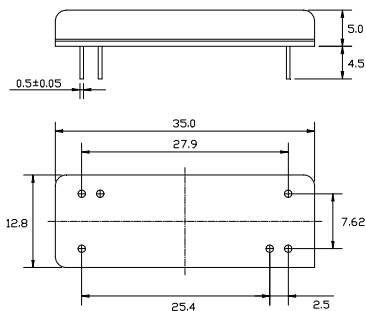
Typical Performance



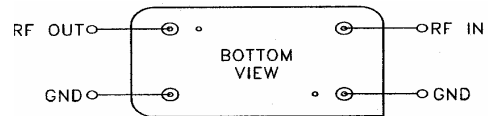
Specification

Parameter	Unit	Min.	Typ.	Max.
Center Frequency	Mhz	69.92	70.00	70.08
Insertion Loss	dB	-	25.50	27.00
3dB Bandwidth	Mhz	7.50	7.58	-
40dB Bandwidth	Mhz	-	8.30	8.50
Passband Ripple	dB	-	0.75	1.00
Group Delay Variation	nsec	-	100	150
Absolute Delay	usec	-	4.25	-
Ultimate Attenuation	dB	50	55	-
Substrate Material	-	128-LiNbO ₃		

Package Dimension



Matching Configuration



Bottom View
 Source / Load Impedance = 50Ω
 Ambient Temperature = 25°C