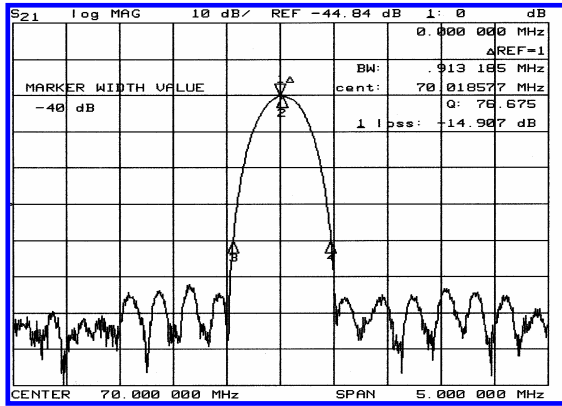
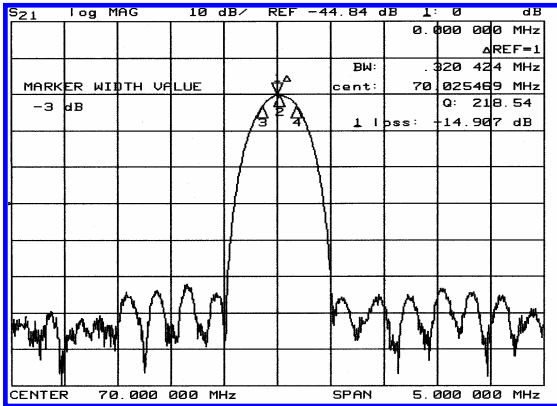


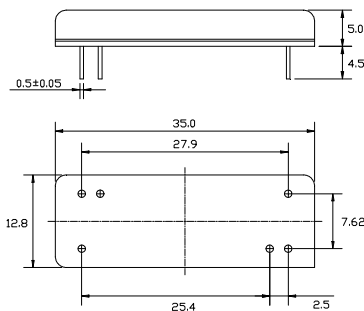
Typical Performance



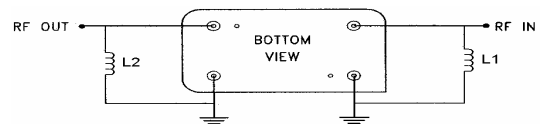
Specification

Parameter	Unit	Min.	Typ.	Max.
Center Frequency	Mhz	69.92	70.00	70.08
Insertion Loss	dB	-	14.50	16.00
3dB Bandwidth	Mhz	0.25	0.30	-
40dB Bandwidth	Mhz	-	0.90	1.00
Passband Ripple	dB	-	0.35	1.00
Group Delay Variation	nsec	-	150	200
Absolute Delay	µsec	-	3.75	-
Ultimate Attenuation	dB	50	55	-
Substrate Material	-	Quartz		

Package Dimension



Matching Configuration



Bottom View
 $L1 = L2 = 12 \text{ nH}$
 Source / Load Impedance = 50Ω
 Ambient Temperature = 25°C