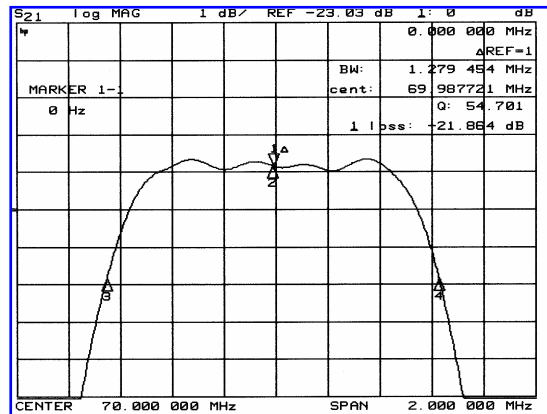
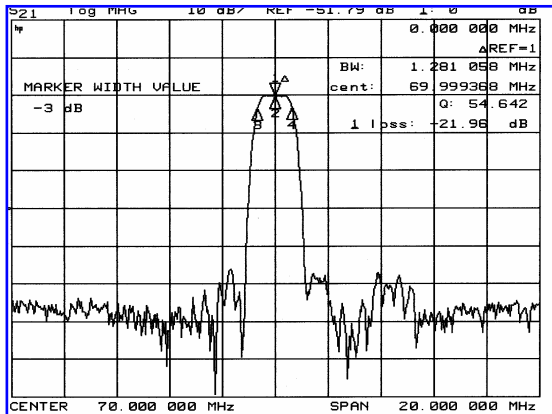


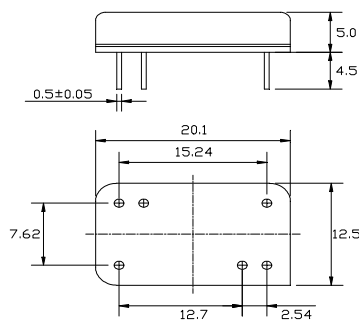
Typical Performance



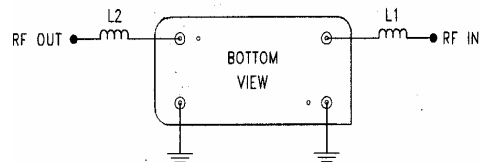
Specification

| Parameter             | Unit | Min.  | Typ.   | Max.  |
|-----------------------|------|-------|--------|-------|
| Center Frequency      | Mhz  | 69.92 | 70.00  | 70.08 |
| Insertion Loss        | dB   |       | 22.0   | 24.0  |
| 3dB Bandwidth         | Mhz  | 1.23  | 1.26   |       |
| 40dB Bandwidth        | Mhz  |       | 2.15   | 2.40  |
| Passband Ripple       | dB   |       | 0.35   | 0.80  |
| Group Delay Variation | nsec |       | 80     | 150   |
| Absolute Delay        | usec |       | 2.45   |       |
| Ultimate Attenuation  | dB   | 45    | 50     |       |
| Substrate Material    | -    |       | Quartz |       |

Package Dimension



Matching Configuration



L1 = L2 = 180 nH  
 Bottom View  
 Source / Load Impedance = 50Ω  
 Ambient Temperature = 25°C