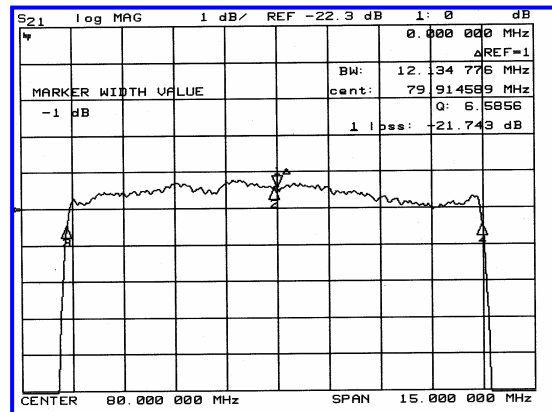
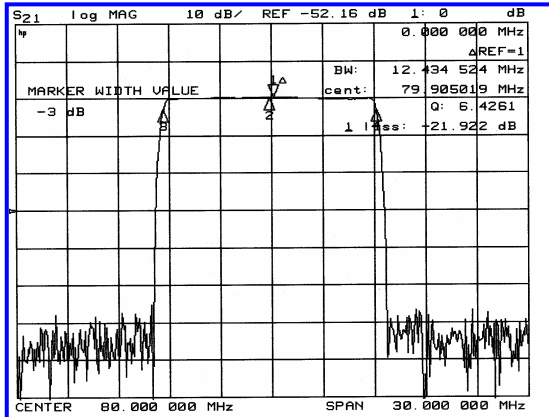


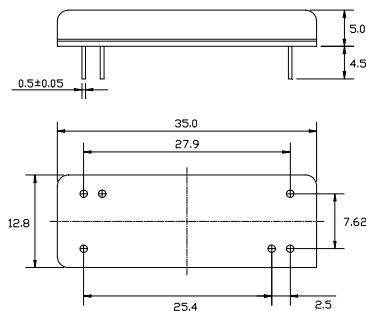
Typical Performance



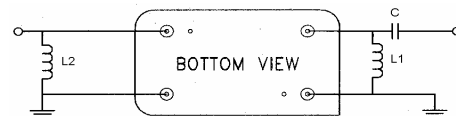
Specification

Parameter	Unit	Min.	Typ.	Max.
Center Frequency	Mhz	79.92	80.00	80.08
Insertion Loss	dB		22.00	23.50
3dB Bandwidth	Mhz	12.30	12.45	
50dB Bandwidth	Mhz		13.60	13.70
Passband Ripple	dB		0.75	1.00
Group Delay Variation	nsec		150	200
Absolute Delay	usec		2.82	
Ultimate Attenuation	dB	50	55	
Substrate Material	-		128-LiNbO ₃	

Package Dimension



Matching Configuration



L1= L2=180nH , C=82pF
 Source / Load Impedance = 50Ω
 Ambient Temperature = 25°C