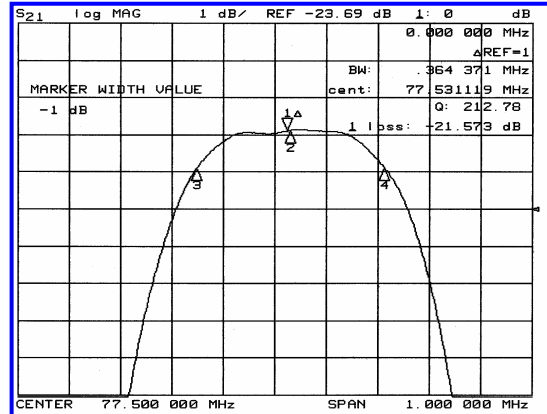
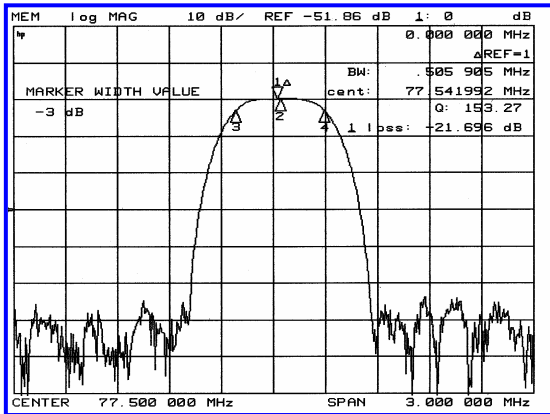


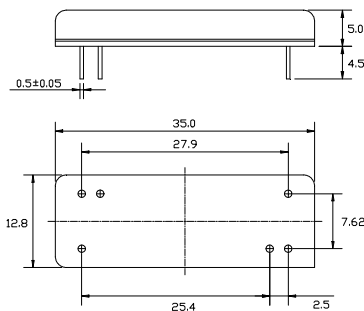
**Typical Performance**



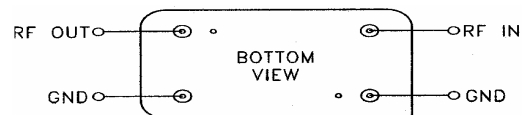
**Specification**

Parameter	Unit	Min.	Typ.	Max.
Center Frequency	Mhz	77.42	77.50	77.58
Insertion Loss	dB		21.50	23.00
3dB Bandwidth	Mhz	0.45	0.50	
50dB Bandwidth	Mhz		0.98	1.00
Passband Ripple	dB		0.25	0.70
Group Delay Variation	nsec		300	400
Absolute Delay	usec		4.72	
Ultimate Attenuation	dB	50	55	
Substrate Material	-		Quartz	

**Package Dimension**



**Matching Configuration**



Bottom View  
Source / Load Impedance = 50Ω  
Ambient Temperature = 25°C