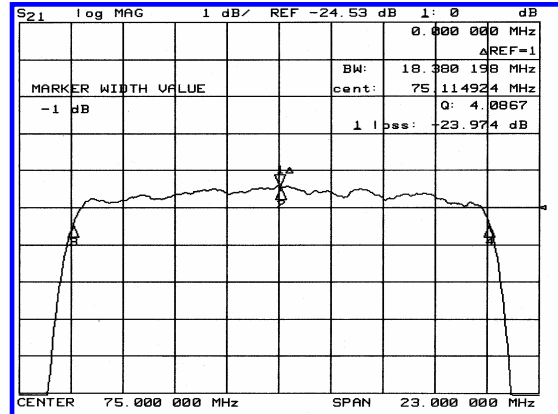
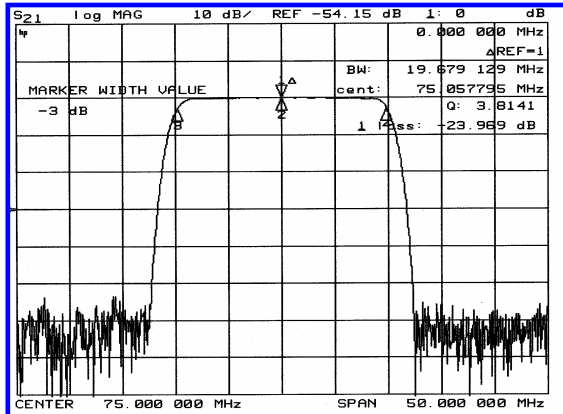


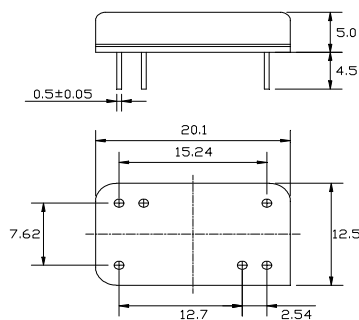
Typical Performance



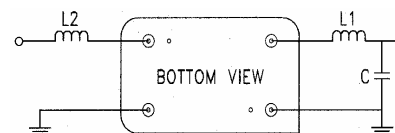
Specification

Parameter	Unit	Min.	Typ.	Max.
Center Frequency	Mhz	74.92	75.00	75.08
Insertion Loss	dB		24.0	25.5
3dB Bandwidth	Mhz	19.50	19.68	
40dB Bandwidth	Mhz		24.00	24.50
Passband Ripple	dB		0.55	1.00
Group Delay Variation	nsec		50	100
Absolute Delay	usec		1.25	
Ultimate Attenuation	dB	50	55	
Substrate Material	-		128-LiNbO <sub>3</sub>	

Package Dimension



Matching Configuration



L1=82nH , L2=68nH , C=12pF  
Source / Load Impedance = 50Ω  
Ambient Temperature = 25°C