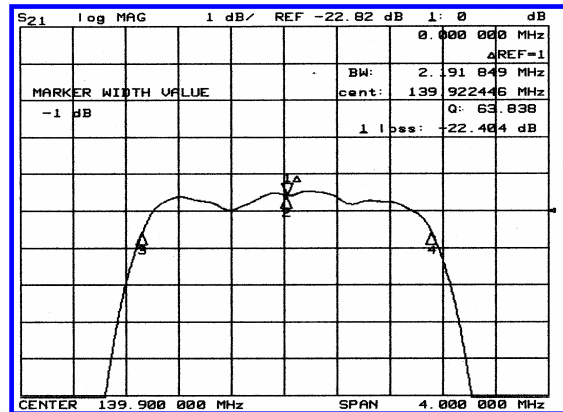
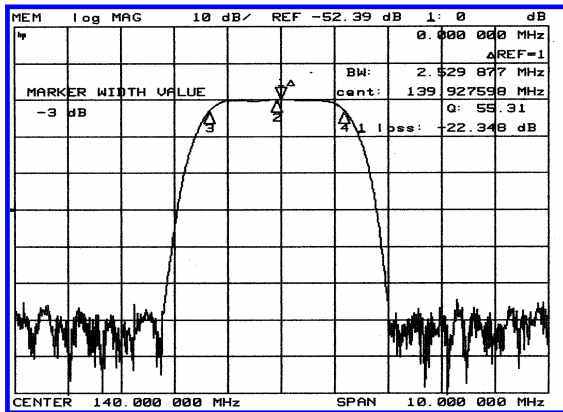


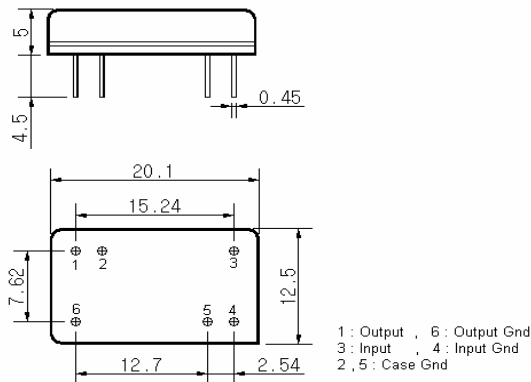
Typical Performance



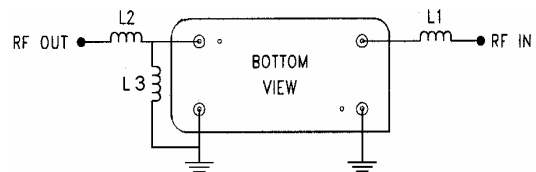
Specification

Parameter	Unit	Min.	Typ.	Max.
Center Frequency	Mhz	139.85	140.00	140.15
Insertion Loss	dB	-	23.00	24.50
1dB Bandwidth	Mhz	2.00	2.19	-
3dB Bandwidth	Mhz	2.50	2.52	-
40dB Bandwidth	Mhz	-	3.92	4.20
Passband Ripple	dB	-	0.45	0.80
Group Delay Variation	nsec	-	50	120
Absolute Delay	µsec	-	1.85	-
Ultimate Attenuation	dB	50	60	-
Substrate Material	-	Quartz		

Package Dimension



Matching Configuration



L1=68nH, L2=33nH, L3=56nH
Source / Load Impedance = 50Ω
Ambient Temperature = 25°C